



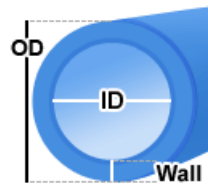
Single hose barb fitting for 1/4in (6mm) ID tubing. 1/4 NPT (tapered) thread. Includes hose clamp for 3/8in (10mm) OD tubing.

**Intended Tubing Size**

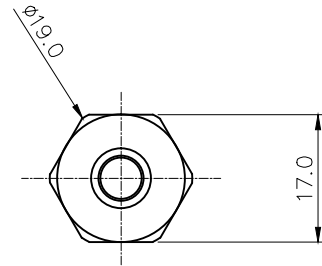
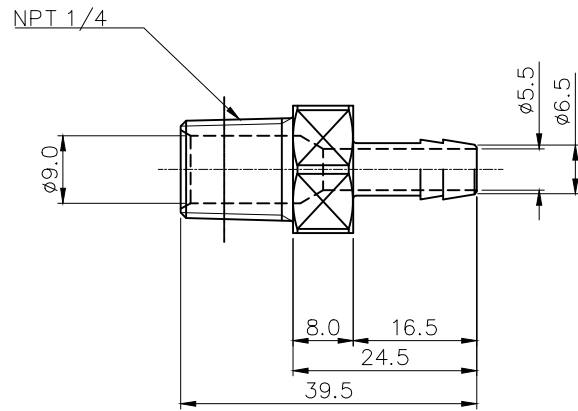
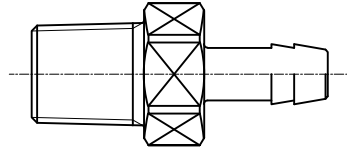
**ID:** 6mm (1/4")

**OD:** 10mm (3/8")

**Wall:** 2mm (5/64")



General	
Weight	0.03 lb (0.01 kg)
Materials	SUS 316, EPDM
Max Pressure @ 25° C	15kgf/cm2 (213.4psi)
Max Temperature	120° C (248° F)



REV	DATE	CONTENTS	REVD BY	CHKD BY	APPD BY
REVISION					

NO.	DESCRIPTION			MATER'L	QUANTITY	REMARKS
<b>KOLANCE</b>				UNIT	MM	ITEM FIT-V06N14-SS
				SCALE	N/S	TITLE
DATE	BY	BY	BY	APPRD BY	3RD ANGLE NPT 1/4 6mm 호스바브 노즐	
	ys.shin				CODE NO.	DWG. NO.
					-	-
						PAGE