

QD3 Female Quick Disconnect No-Spill Coupling, Compression for 10mm x 16mm (3/8in x 5/8in) *Black*



Koolance patented quick disconnect no-spill coupling with automatic shutoff. 10mm (3/8in) ID, 16mm (5/8in) OD female straight connection with compression fitting. It will only fit a Koolance QD3 male quick disconnect.

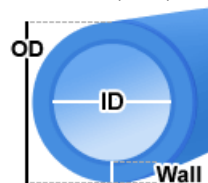
After pulling the ring on the female QDC side, the quick-disconnect fittings will separate. Liquid on both sides will be automatically obstructed with approximately 0.2ml freed. Coolant volume lost upon disconnection will rise with internal pressure higher than 0.5kgf/cm² (7psi).

Intended Tubing Size

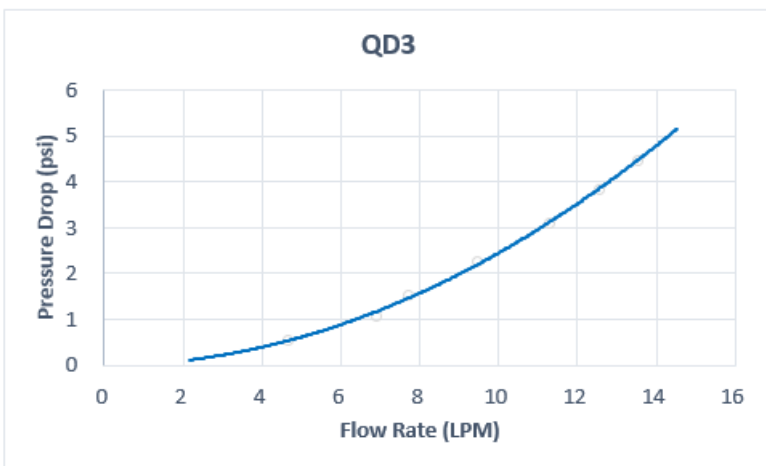
ID: 10mm (3/8")

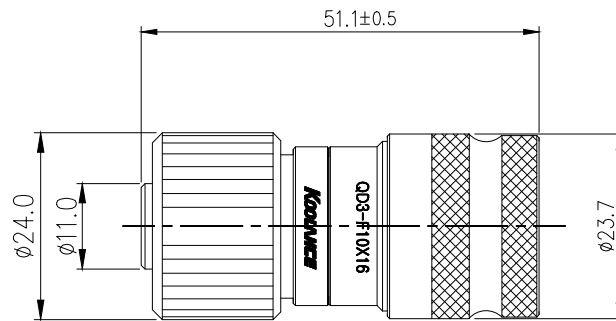
OD: 16mm (5/8")

Wall: 3mm (1/8")



General	
Weight	0.23 lb (0.10 kg)
Materials	Brass, Chrome Plating, Stainless Steel, EPDM
Max Pressure @ 25 °C	8kgf/cm ² (113.8psi)
Max Temperature	100 °C (212 °F)





REV	DATE	CONTENTS	REVD BY	CHKD BY	APPD BY

REVISION

NO.	DISCRIPTION			MATER'L		QUANTITY	REMARKS			
				DECIMAL PLACES	INCHES	MILLIMETRES	UNIT	MM	ITEM	QD3
				.XXX	±.005	±0.1	SCALE	N/S	TITLE	QD3-F10X16
	.XX	±.010	±0.3	ANGULAR DIMENSIONS		3RD ANGLE				
	.X	±.020	±0.5	XX°	±0.5°		CODE NO.	DWG. NO.	PAGE	
				XX.X°	±0.1°					
				SURFACE ROUGHNESS		SURFACE	SURFACE			
						.63	1.6			