

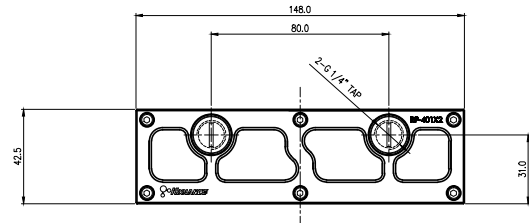
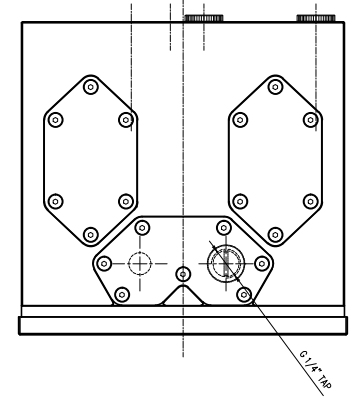
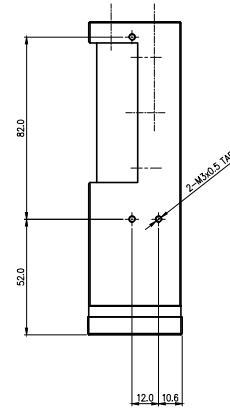
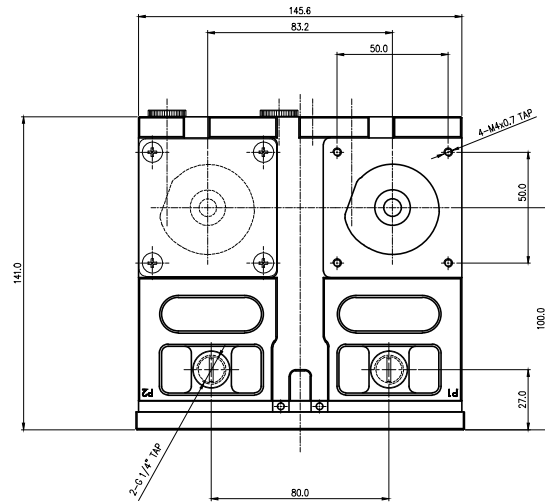
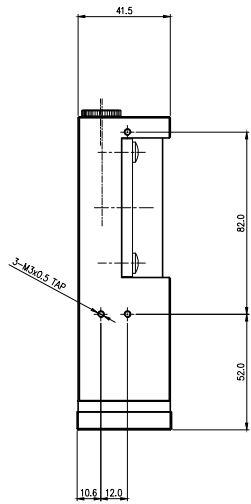
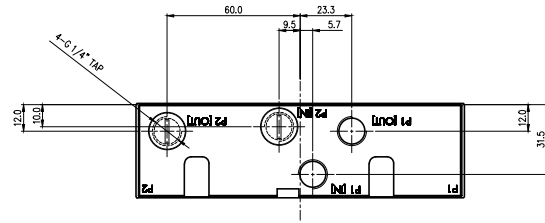


Easily combine Koolance's compact high pressure pumps into dual or serial/redundant loops! RP-401X2 is a single 5.25" bay reservoir designed for **one or two** Koolance [PMP-400](#) pumps (not included). Using a convenient bottom plug, the front reservoirs can be separated or combined without disassembling the unit. Top fill ports are available for each reservoir.

Machined from a solid piece of acetal for maximum reliability, the RP-401X2 has a thick acrylic window, front aluminum bezel, and stainless steel bottom covers. Two sets of G 1/4 BSPP (parallel) thread inlet and outlets appear on the back, designated "P1" and "P2" for each pump. If one pump is used, an acetal blocker is included to occupy the second pump location.

There are two pre-drilled holes for optional [3mm LEDs](#) above the acrylic window. CD bay mounting screws and pump attachment hardware are included. Capacity per reservoir = approx. 2.7 fl oz (80ml). Weight without pumps = 1.75 lbs (0.8kg). Total dimensions = 5.8" (14.8cm) W x 5.4" (13.6cm) L x 1.7" (4.2cm) H.

General	
Weight	1.75 lb (0.79 kg)
Max Pressure @ 25 °C	1.5kgf/cm2 (21.3psi)
Max Temperature	60 °C (140 °F)
Reservoirs	
Capacity	160mL (5.4 fl oz)



NO.	DESCRIPTION	MATER'L	QUANTITY	REMARKS
	KOOLNCE	UNIT	MM	PART NO. RP-1250
		SCALE	N/S	TITLE
DATE	BY	BY	APPRO BY	3RD ANGLE
05/09/2017	S.J.LEE			DWG. NO.
				ITEM

Ass'y