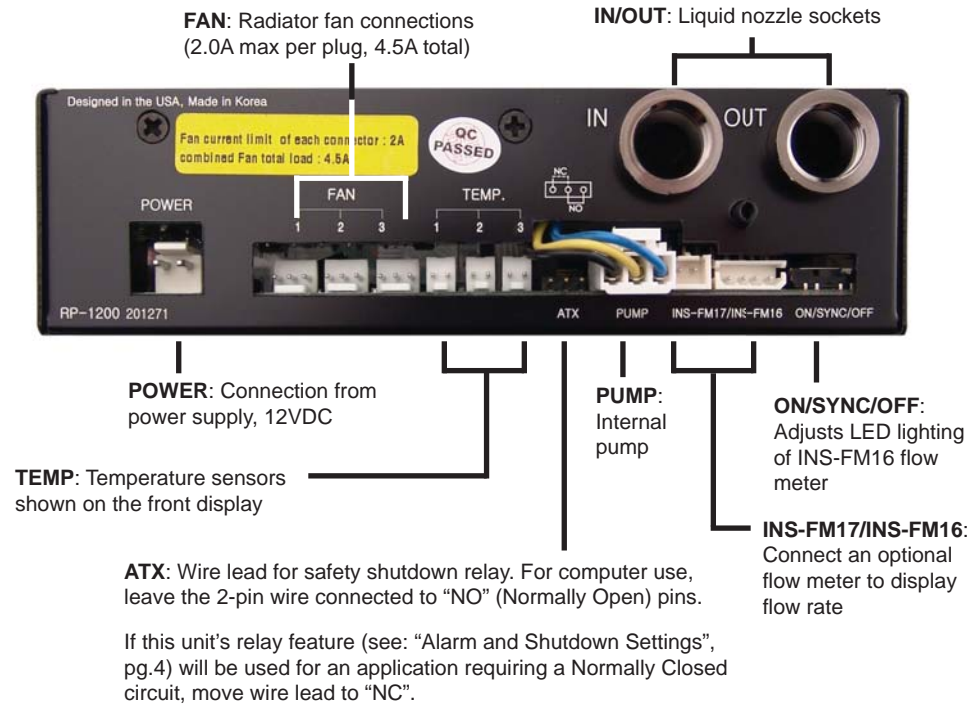


RP-1200 Rev. 2.0 User Manual Addendum

Your product may have been updated after the user manual was printed. Please use the below information to supplement the user manual.

Reservoir & Pump Connections

The rear of the unit accepts various connections to integrate with your cooling system.



Troubleshooting

5. My system has boot-up problems, or does not turn on...

Make sure the ATX wire lead is connected to "NO" (Normally Open) on the rear of the unit. (See: "Reservoir and Pump Connections" for details.)

If this does not solve the issue, it is unrelated to the Koolance unit. In a computer, a problem with the RAM, motherboard, power supply, video card, processor, or monitor can cause the system to appear not to boot-up properly.