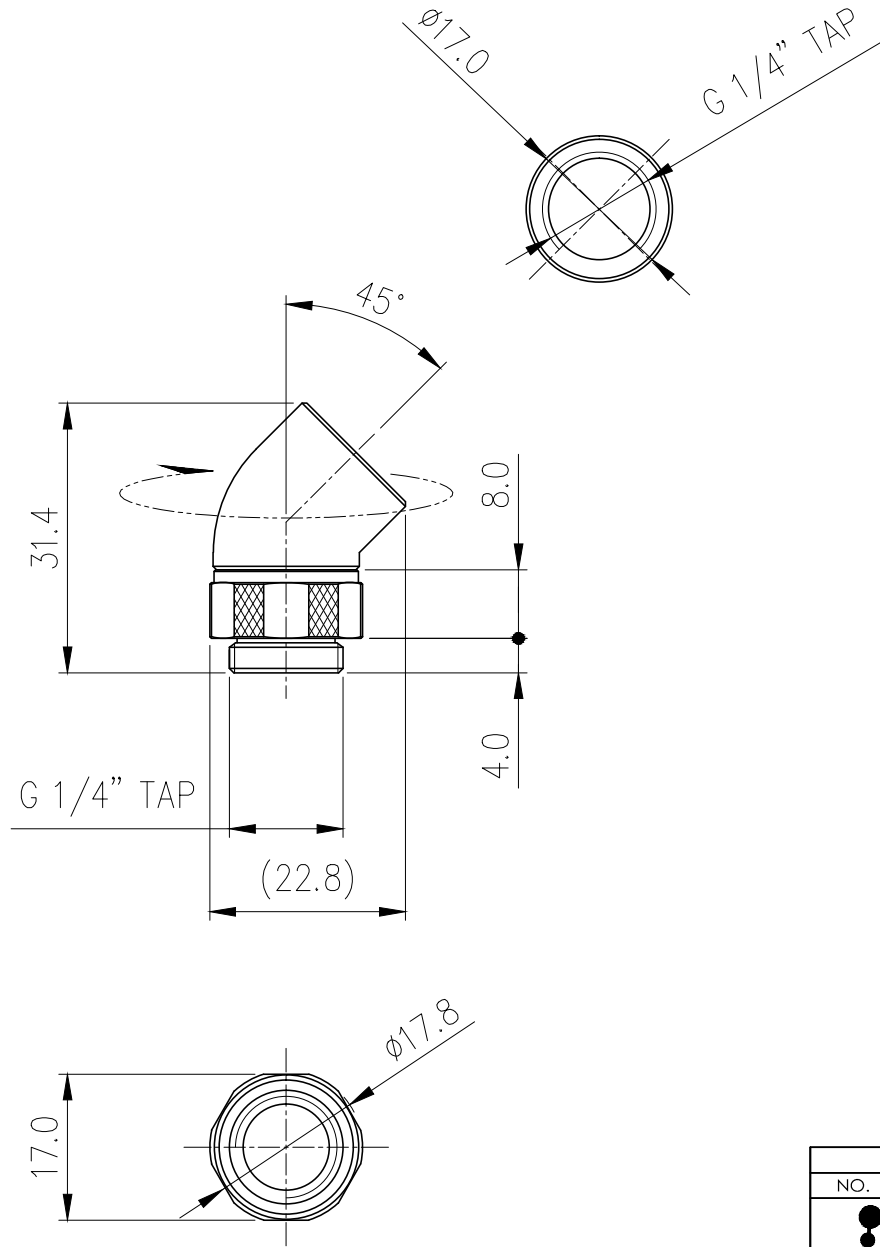




Koolance swiveling G 1/4 BSP socket fitting with a 45-degree bend.

General	
Weight	0.06 lb (0.03 kg)
Fitting Thread	G 1/4 BSP
Materials	Brass, Nickel Plating, EPDM
Max Pressure Tolerance @ 25° C	8kg/cm ² (113.8psi)
Max Temp. Operating Tolerance	100° C (212° F)



NO.	DESCRIPTION	MATER'L		QUANTITY	REMARKS
	KOOLANCE	UNIT	MM	APPAR	ADT-DXG45
		SCALE	N/S	TITLE	
DATE	BY	BY	BY	APPRO	Ass'y
				BY	
04/06/2017	S.J.LEE				3RD ANGLE
					CODE NO.
					DWG. NO.