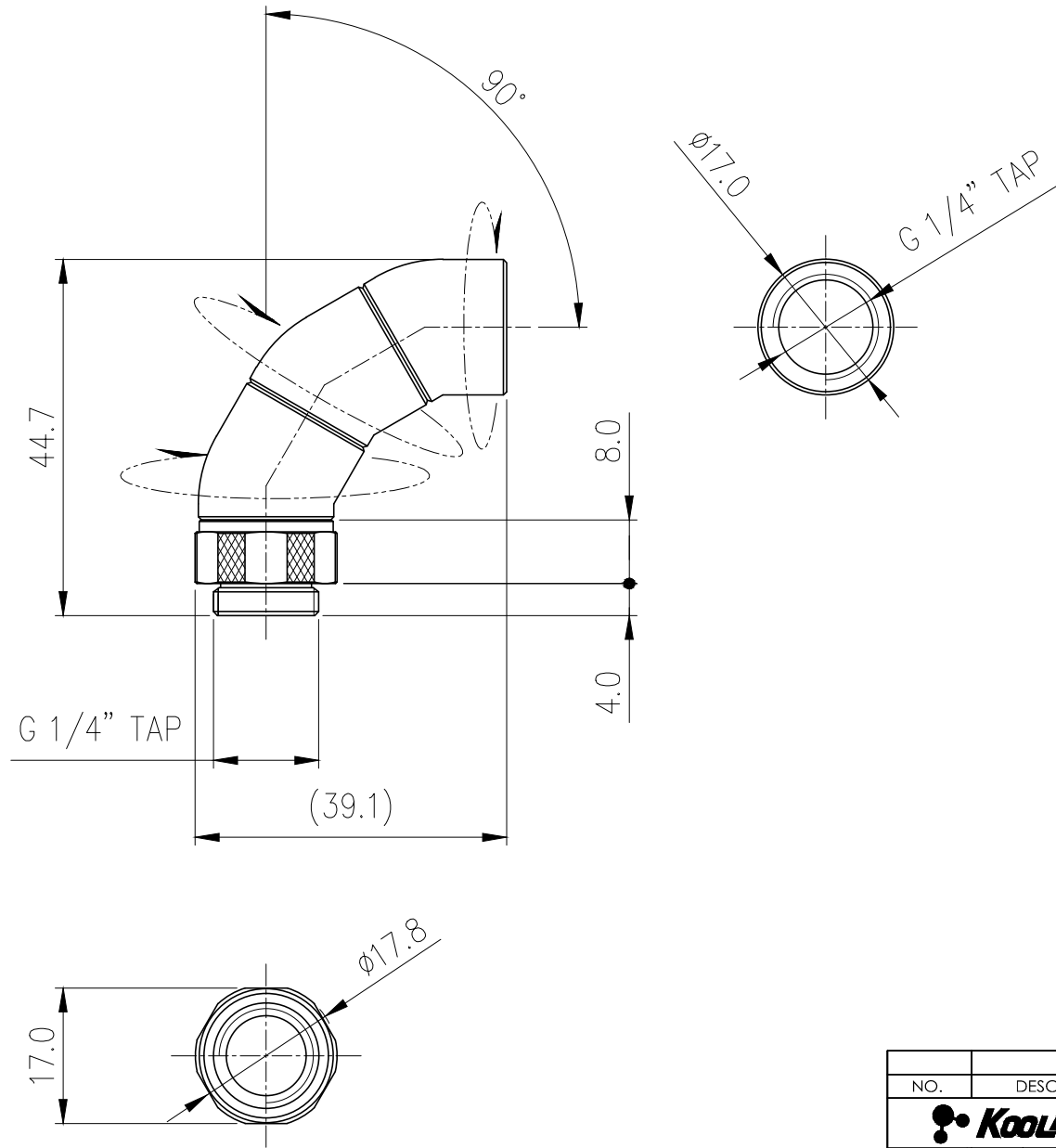




Koolance swiveling G 1/4 BSPP socket fitting. Each segment rotates for a maximum 90-degree bend.

General	
Weight	0.13 lb (0.06 kg)
Fitting Thread	G 1/4 BSPP
Materials	Brass, EPDM
Max Pressure Tolerance @ 25°C	8kgf/cm ² (113.8psi)
Max Temp. Operating Tolerance	100°C (212°F)



NO.	DESCRIPTION	MATER'L		QUANTITY	REMARKS
	KOOLANCE	UNIT	MM	APPAR	ADT-DXG90
		SCALE	N/S	TITLE	
DATE	BY	BY	BY	BY	3RD ANGLE
04/06/2017	S.J.LEE				CODE NO.
					DWG. NO.

Ass'y