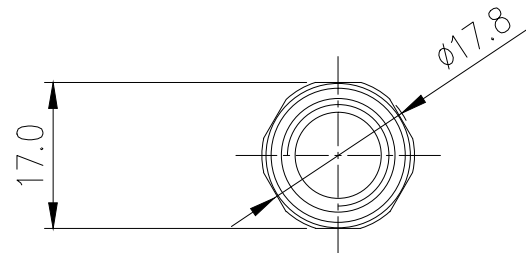
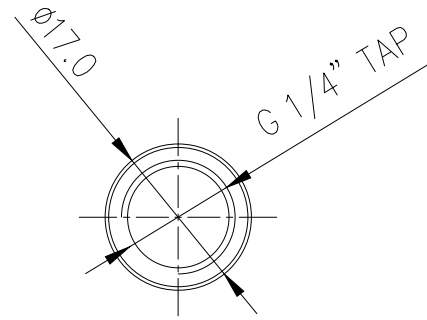
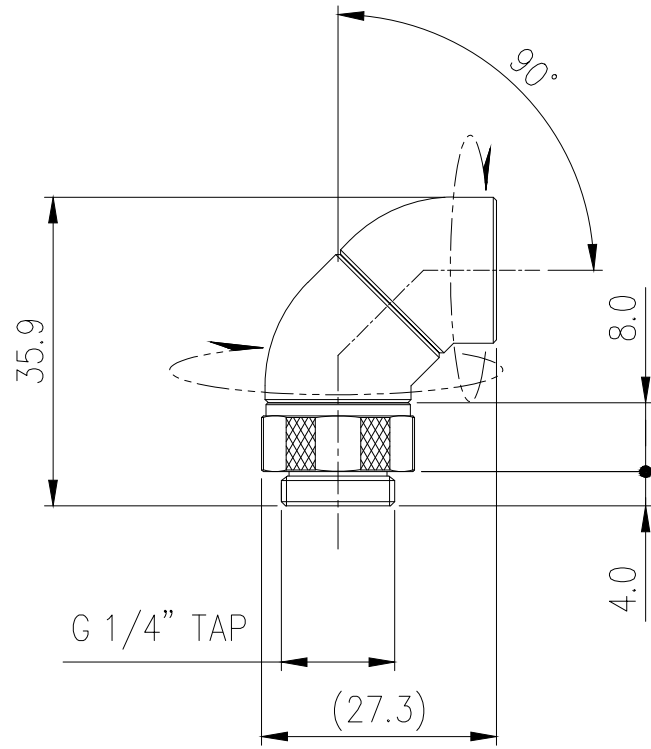




Koolance low profile swiveling G 1/4 BSPP socket fitting.
Each segment rotates for a maximum 90-degree bend.

General	
Weight	0.09 lb (0.04 kg)
Fitting Thread	G 1/4 BSPP
Max Pressure Tolerance @ 25°C	8kgf/cm ² (113.8psi)
Max Temperature Tolerance	100°C (212°F)
Wetted Materials	Brass, EPDM



NO.	DESCRIPTION	MATER'L		QUANTITY	REMARKS
	KOOLANCE	UNIT	MM	APPAR	ADT-DXG90S(-BK)
		SCALE	N/S	TITLE	
DATE	BY	BY	BY	APPRO BY	Ass'y
JUN.15.2022	S.J.LEE				
				CODE NO.	DWG. NO.