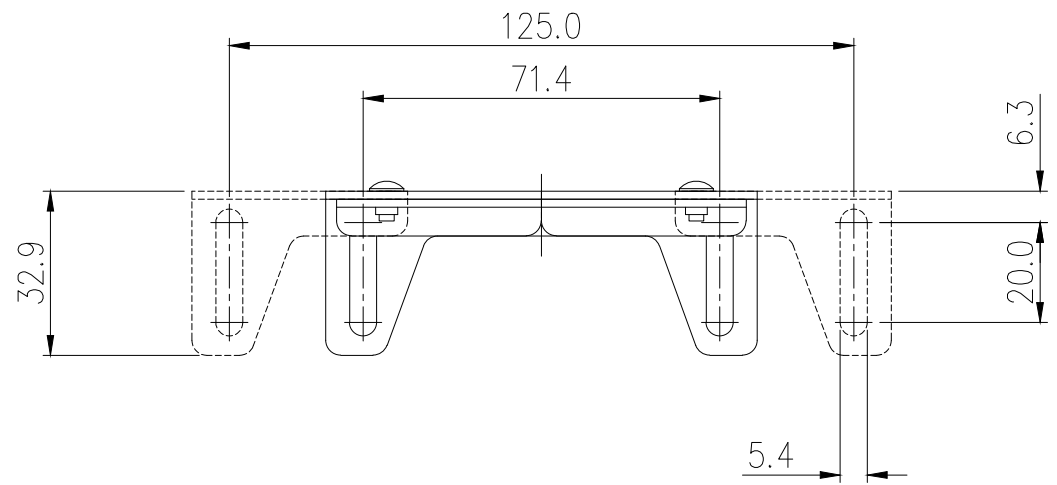
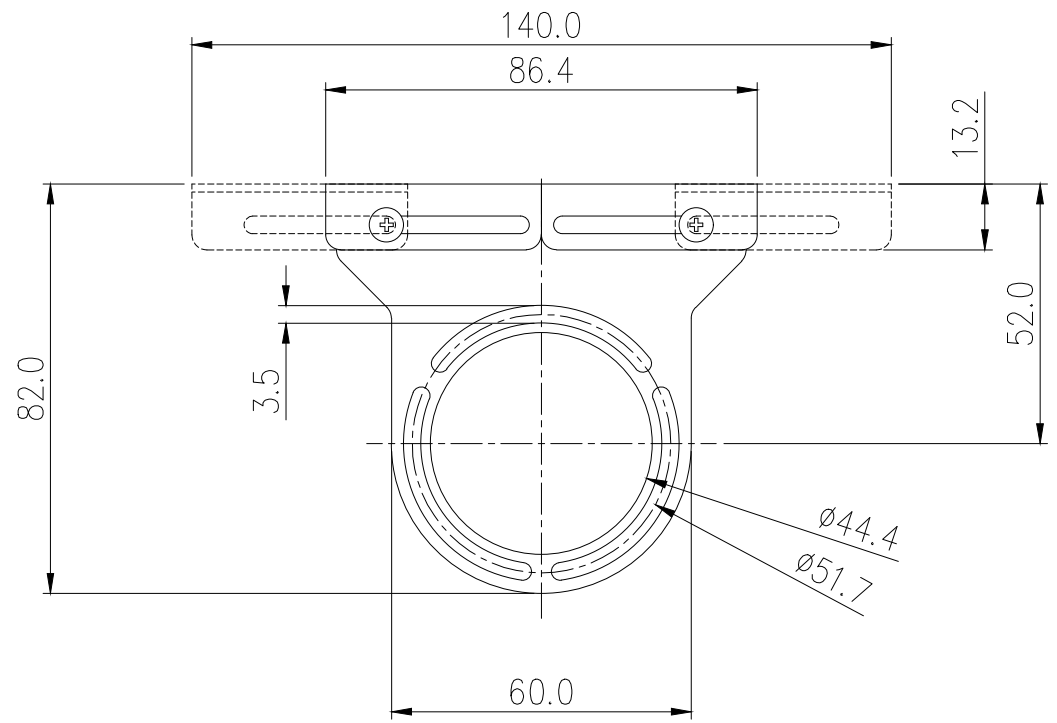


Reservoir Bracket (for COV-TKTOP2 & COV-TKTOP2X70)



Steel mounting bracket for Koolance COV-TKTOP2 and COV-TKTOP2X70 dual port reservoir lids. Can be adjusted for mounting widths from 72-125mm.

General	
Weight	0.20 lb (0.09 kg)



NOTE

1. General Tolerance : ± 0.5

NO.	DESCRIPTION				MATER'L		QUANTITY	REMARKS
					UNIT	MM	APPAR	
	KOOLANCE				SCALE	N/S	TITLE	Ass'y
DATE					BY	BY	BY	
DEC.11.2025	S.J.LEE					CODE NO.	DWG. NO.	