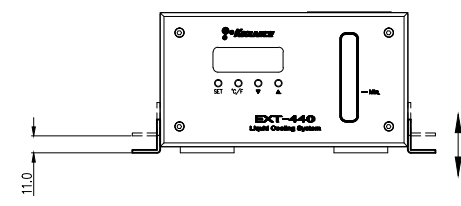
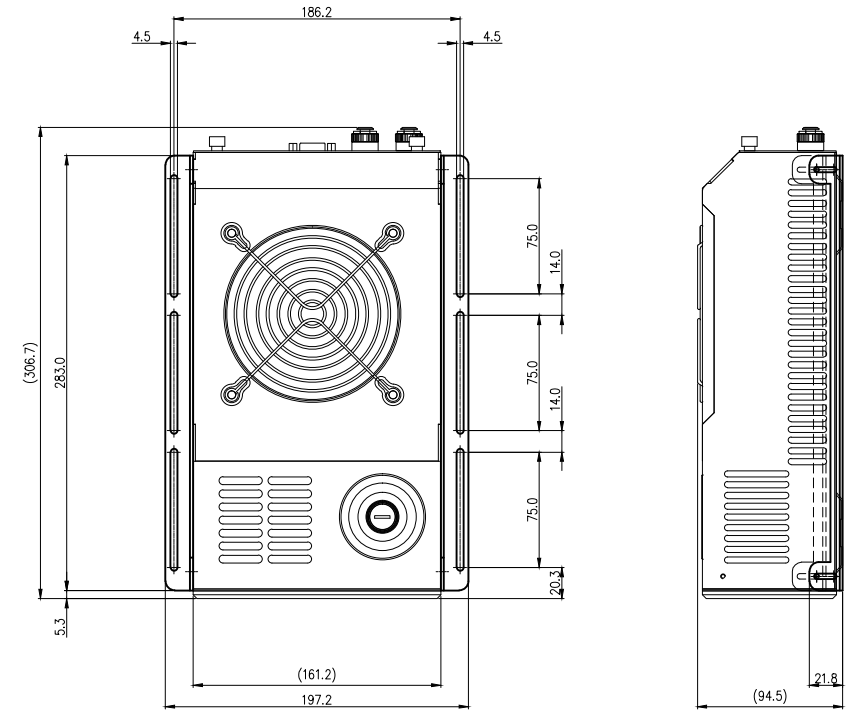
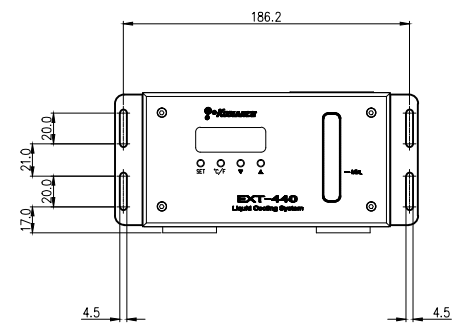
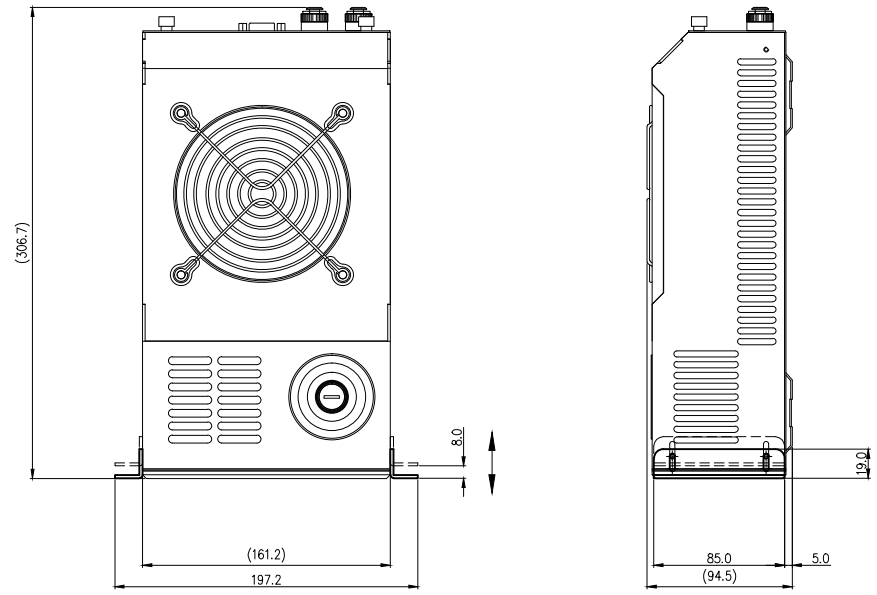




Steel bracket kit for EXT-440. Contains two different mounting options which use the existing side holes on the EXT-440 (floor mount or front/ears). Screws are included.

General	
Weight	0.60 lb (0.27 kg)



NO.	DESCRIPTION	MATER'L		QUANTITY	REMARKS
	<b>KOOLANCE</b>	UNIT	MM	ITEM	EXT-440CU
		SCALE	N/S	TITLE	
DATE	BY	BY	APPRO BY	3RD ANGLE	
JAN.25.2019	S.J.LEE			CODE NO.	DWG. NO.
					PAGE

BKT-EXT440 Ass'y