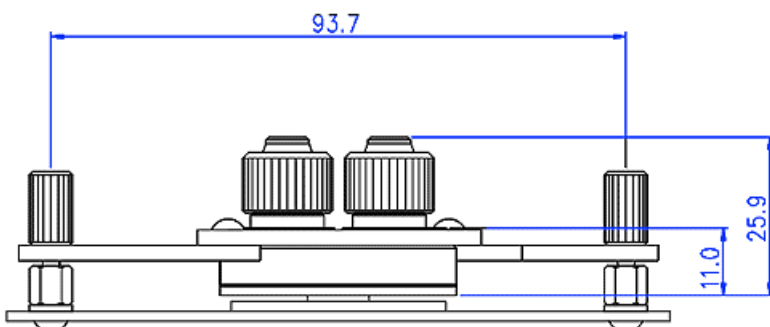
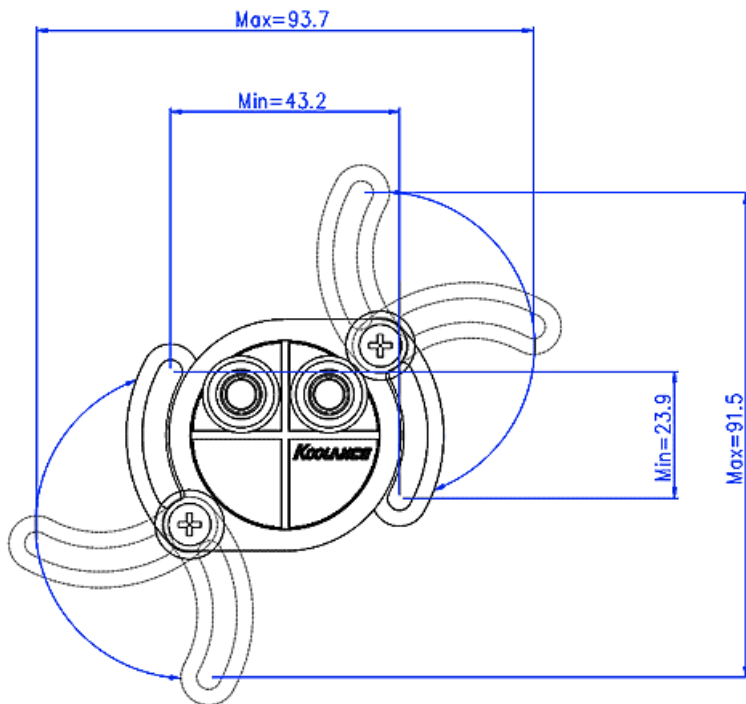
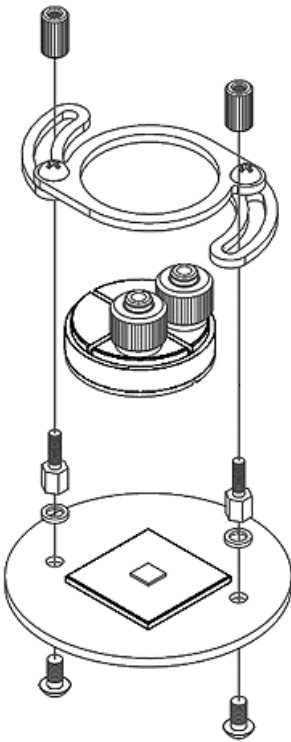
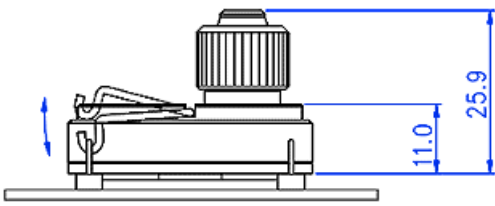
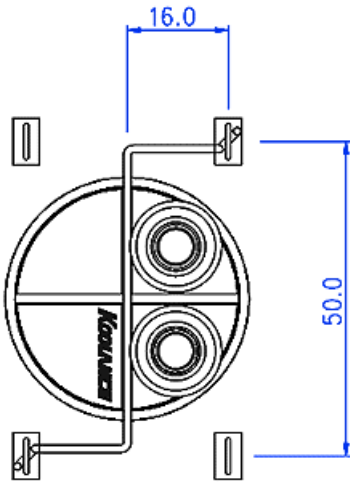




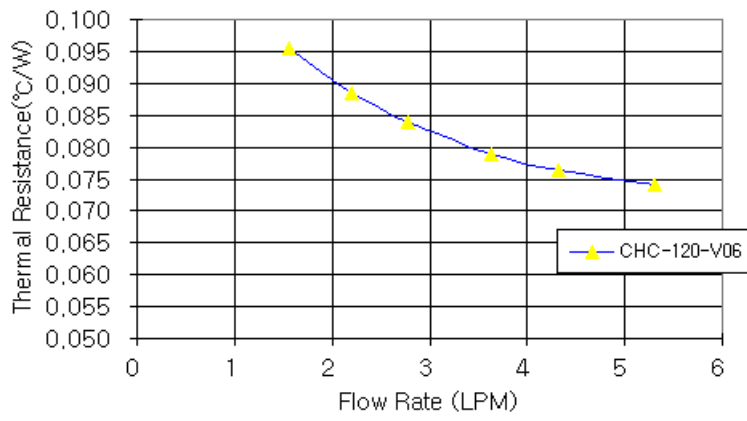
Put heatpipes to shame. The CHC-120-V06 is designed to provide high efficiency liquid cooling for motherboard northbridge or southbridge chipsets (including those below PCI-Express cards). Versatile mounting hardware allows the CHC-120-V06 to cool almost all types of mainboards, or heat sources up to approximately 120W. Materials are solid copper with 24k gold plating and anodized aluminum top.

General	
Weight	0.80 lb (0.36 kg)
Materials	Gold-Plated Copper, Nickel-Plated Aluminum

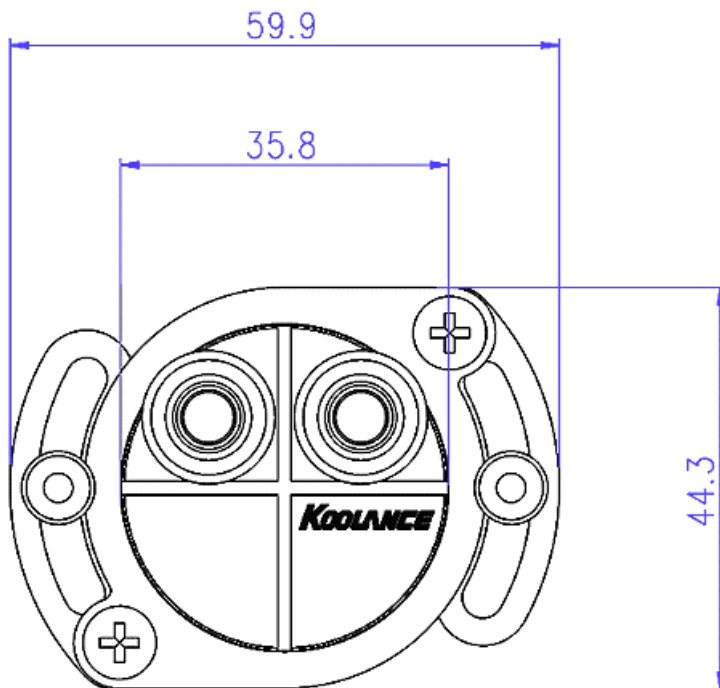
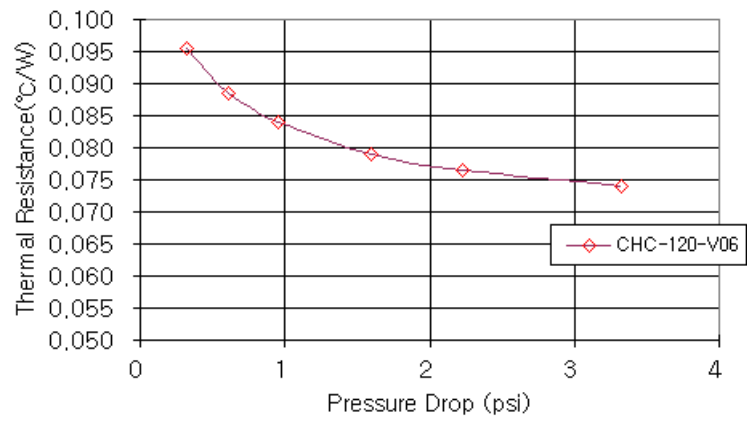


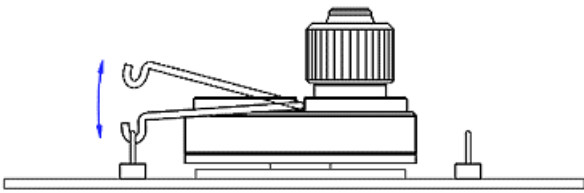
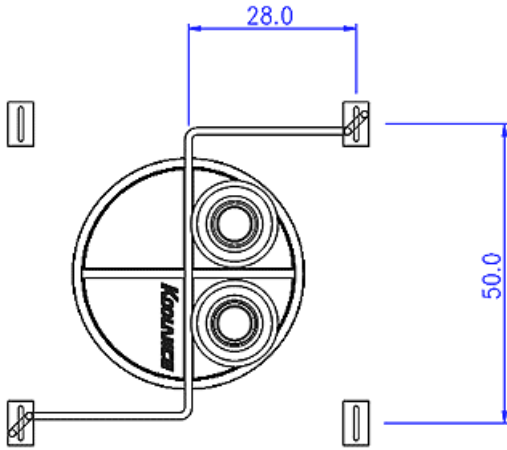
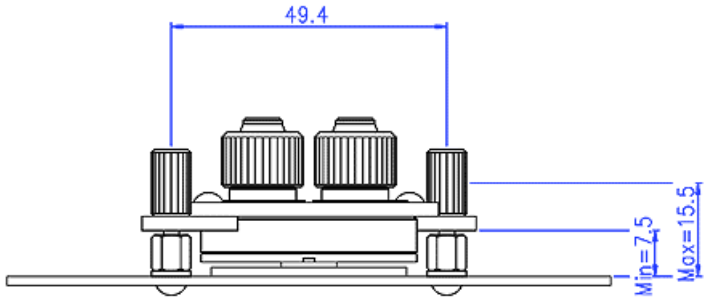


Thermal Resistance vs. Flow Rate



Thermal Resistance vs. Pressure Drop





Pressure Drop vs. Flow Rate

