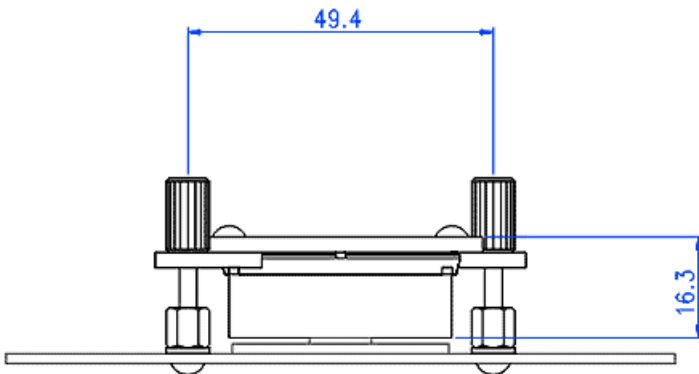
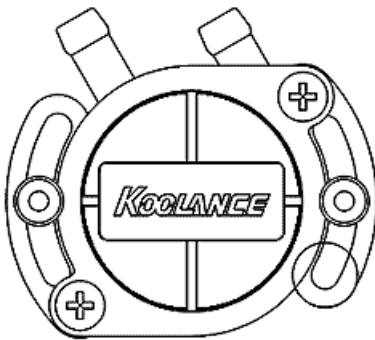
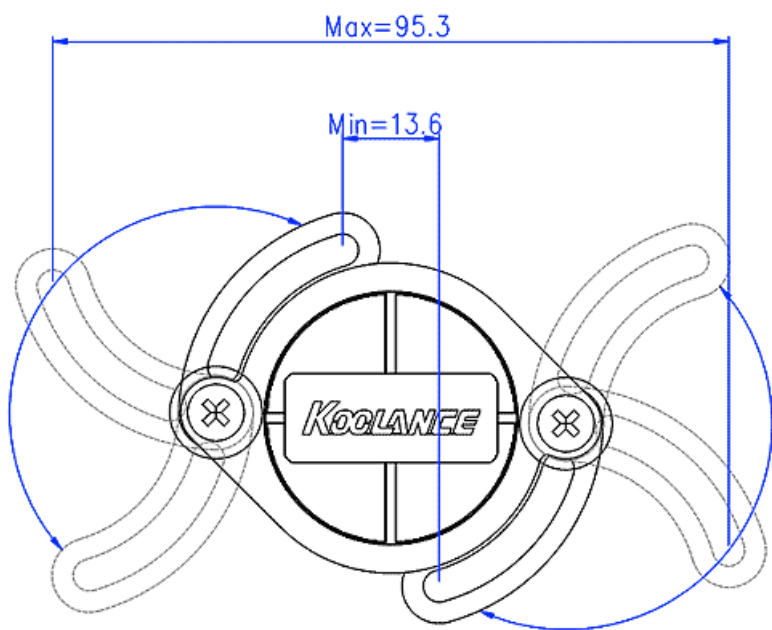
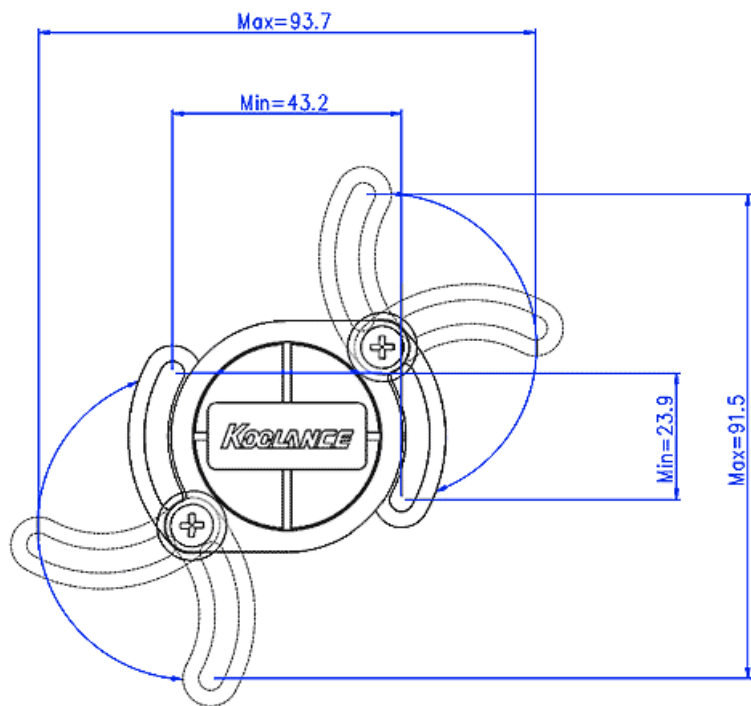


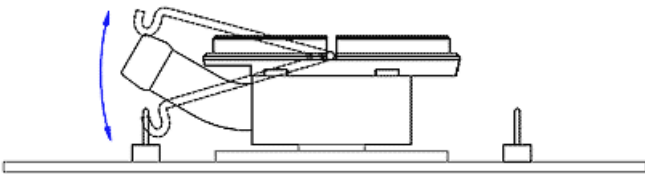
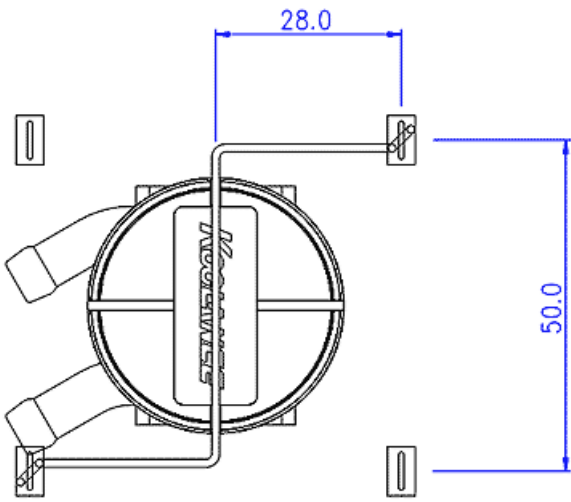
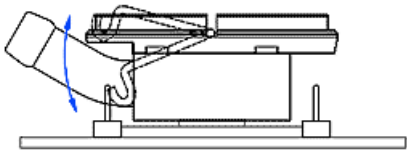
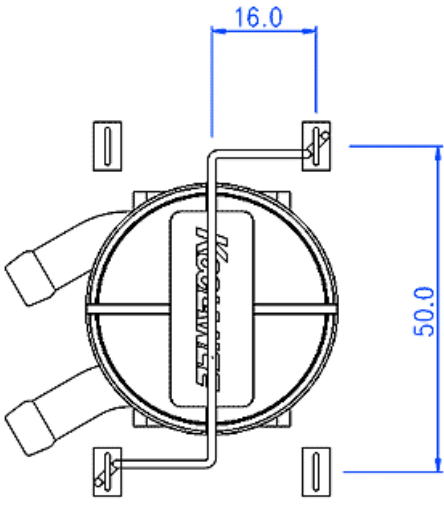


The CHC-36-D06 is a low profile northbridge/southbridge chipset cooler made of copper and plated in 24k gold. Flexible mounting hardware allows it to mount virtually any type of motherboard, including "hook style" heat sink mounts.

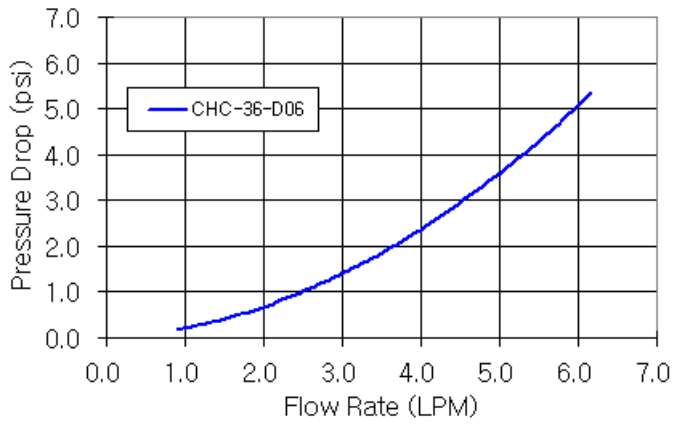
General	
Weight	0.70 lb (0.32 kg)
Wetted Materials	Gold-Plated Copper



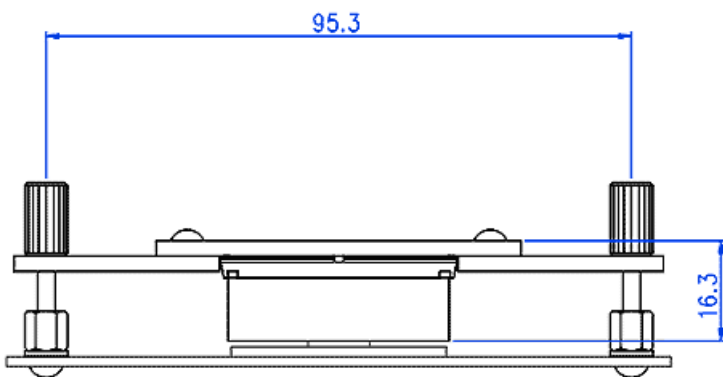
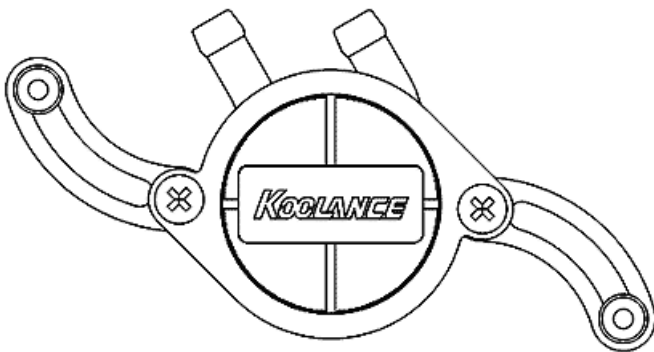
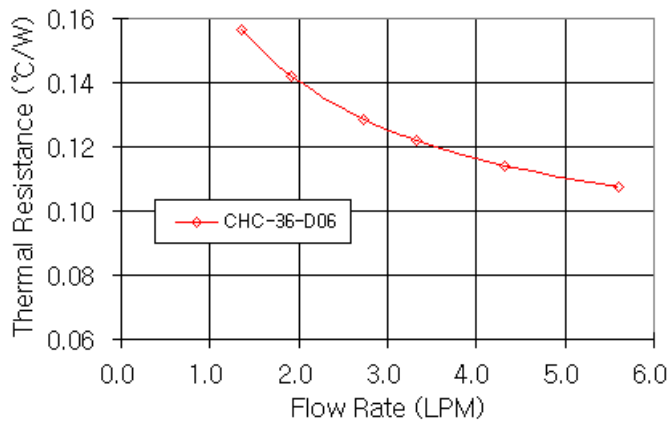


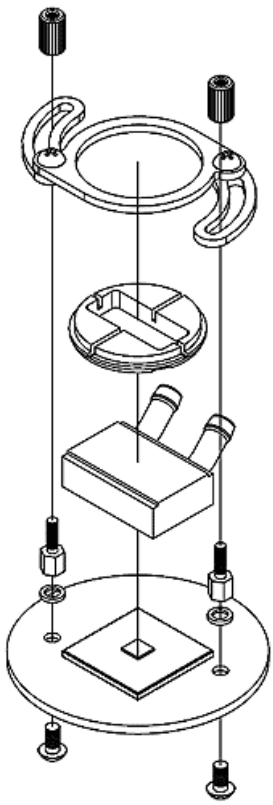


Pressure Drop vs. Flow Rate



Thermal Resistance vs. Flow Rate





Thermal Resistance vs. Pressure Drop

