

PLT-UN25F Cold Plate, 25mm x 25mm (0.98in x 0.98in)

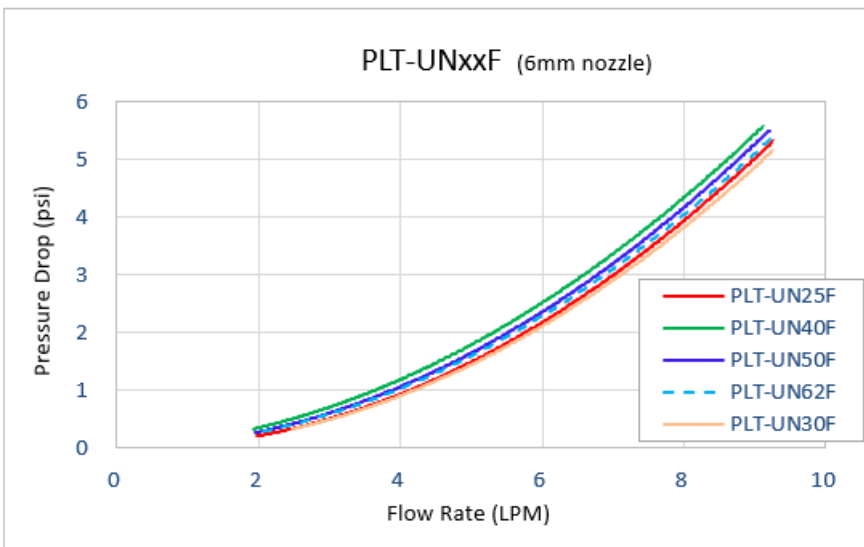


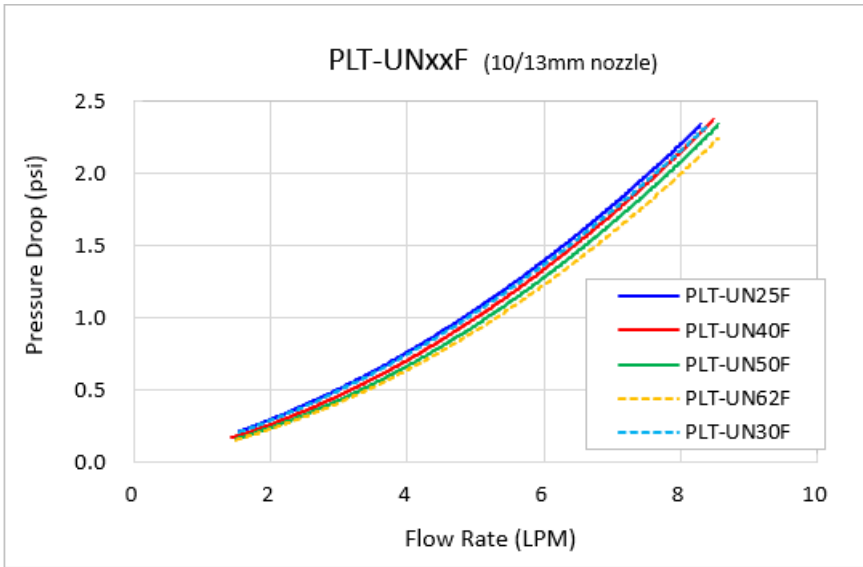
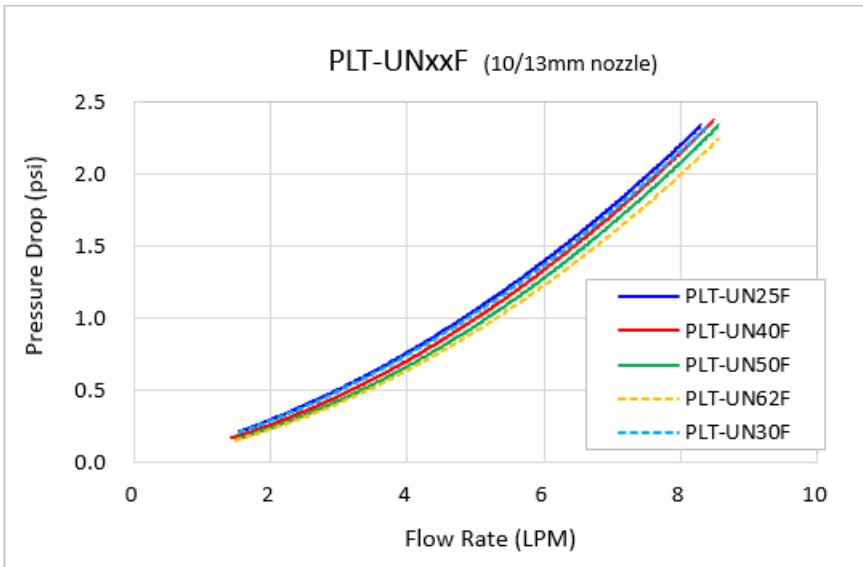
PLT-UN25F is a high-efficiency, general-purpose cold plate for thermal applications such as TEC, LED, image sensor, and semiconductor cooling. The active cooling area is 25mm x 25mm (0.98in x 0.98in), and it utilizes a 0.5mm microfin internal structure.

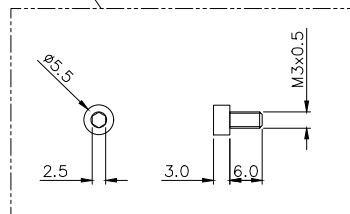
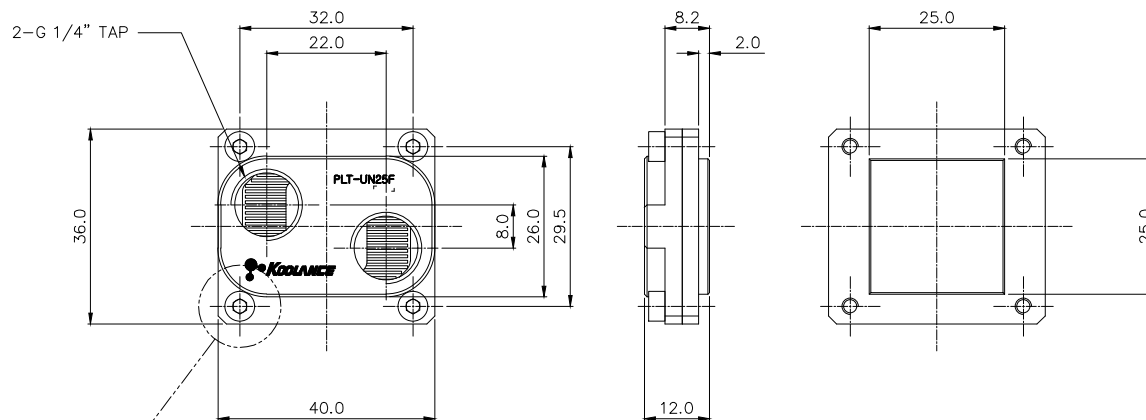
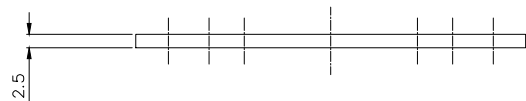
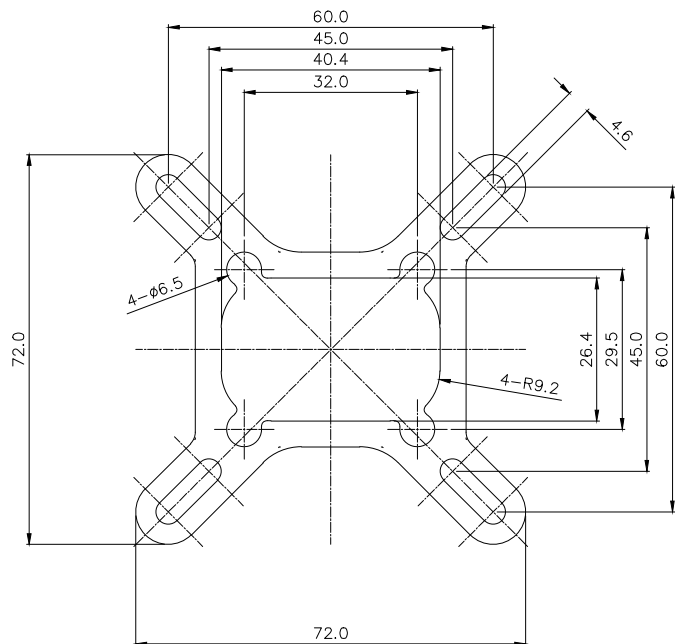
One loose steel bracket is included, designed for easy fabrication and modification (see dimensions under the "Files" tab). The included bracket accommodates diagonal mounting hole distances from approximately 60mm to 88mm (2.36in to 3.46in).

Cold plate materials include copper, a brass top, anti-corrosive nickel plating, and EPDM o-ring. Threaded for G 1/4 BSPP fittings.

Cold Plates	
Flow Resistance @ 5LPM (10-13mm ID)	0.077 kgf/cm ² (1.1psi)
Thermal Resistance @ 5LPM (Approx.)	0.047° C/W
General	
Weight	0.28 lb (0.13 kg)
Fitting Thread	G 1/4 BSPP
Max Pressure Tolerance @ 25° C	8kgf/cm ² (113.8psi)
Max Temperature Tolerance	100° C (212° F)
Wetted Materials	Nickel-Plated Copper, Nickel-Plated Brass, EPDM







< Stainless Steel Socket Head Screw >

REV	DATE	CONTENTS	REVD BY	CHKD BY	APPD BY
REVISION					

NO.	DESCRIPTION			MATER'L		QUANTITY	REMARKS
	KOOLANCE			UNIT	MM	ITEM	PLT-UN25F
				SCALE	N/S	TITLE	Ass'y
DATE	BY	BY	BY	APPRO BY	3RD ANGLE		
	S.J.LEE				CODE NO.	DWG. NO.	PAGE