

PLT-UN30F Cold Plate, 30mm x 30mm (1.18in x 1.18in)

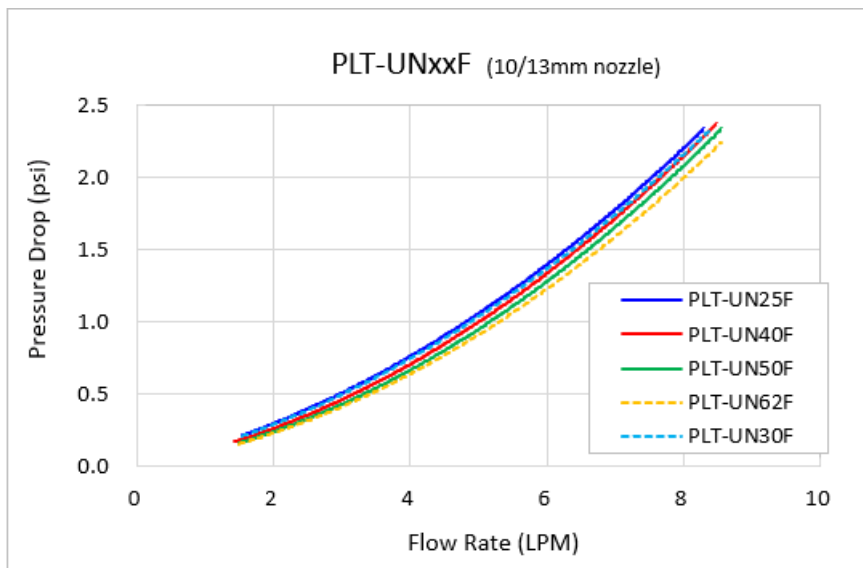


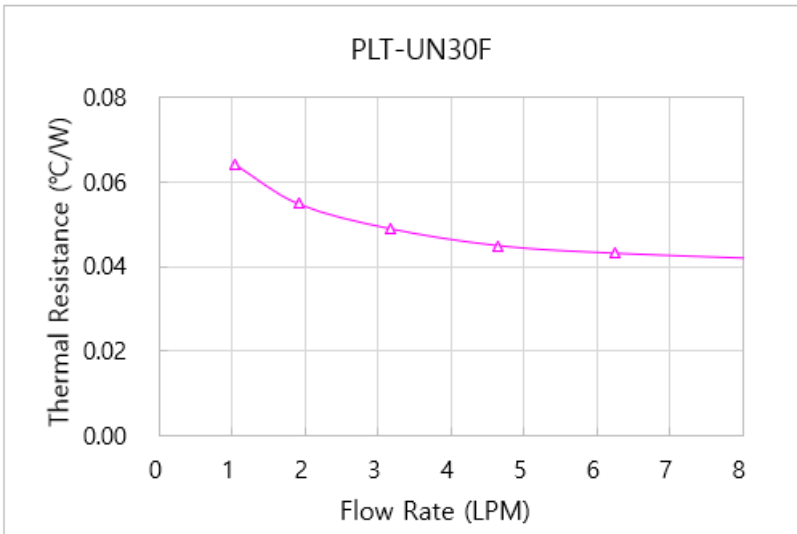
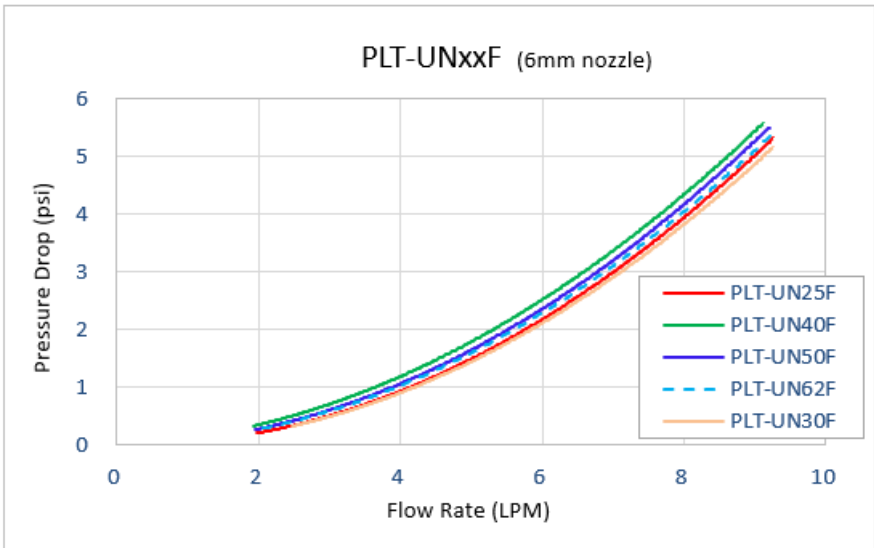
PLT-UN30F is a high-efficiency, general-purpose cold plate for thermal applications such as TEC, LED, image sensor, and semiconductor cooling. The cooling area footprint is 30mm x 30mm (1.18in x 1.18in), and it utilizes a 0.5mm microfin internal structure.

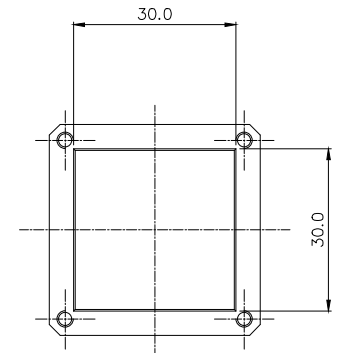
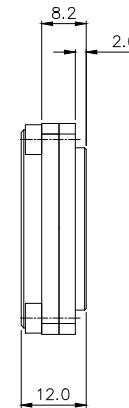
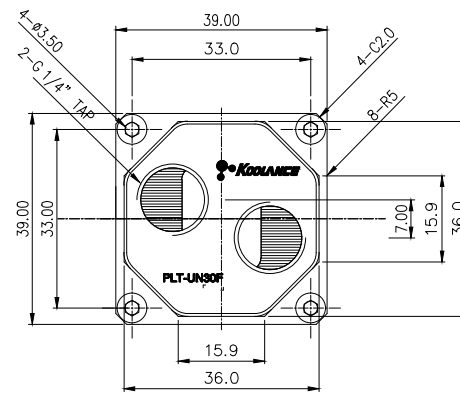
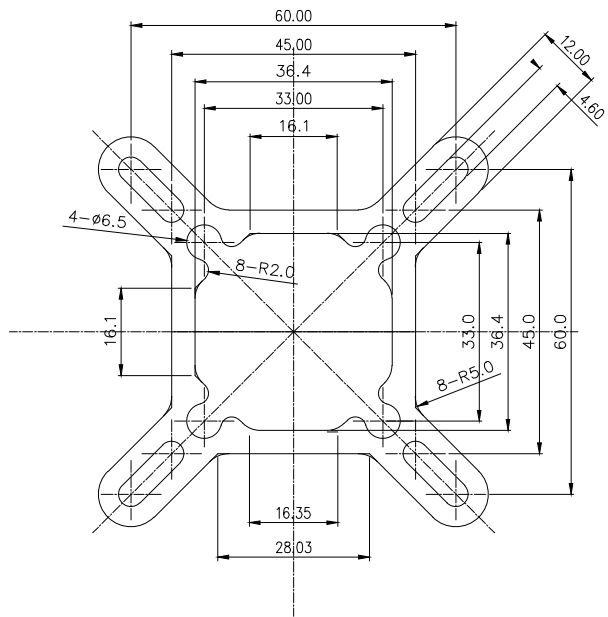
One loose steel bracket is included, designed for easy fabrication and modification (see dimensions under the "Files" tab). The included bracket accommodates diagonal mounting hole distances from approximately 60mm to 88mm (2.36in to 3.46in).

Cold plate materials include copper, a brass top, anti-corrosive nickel plating, and EPDM o-ring. Threaded for G 1/4 BSPP fittings.

Cold Plates	
Flow Resistance @ 5LPM (10-13mm ID)	0.077 kgf/cm ² (1.1psi)
Thermal Resistance @ 5LPM (Approx.)	0.047° C/W
General	
Weight	0.50 lb (0.23 kg)
Fitting Thread	G 1/4 BSPP
Max Pressure Tolerance @ 25° C	8kgf/cm ² (113.8psi)
Max Temperature Tolerance	100° C (212° F)
Wetted Materials	Nickel-Plated Copper, Nickel-Plated Brass, EPDM







2.5



REV	DATE	CONTENTS	REVD BY	CHKD BY	APPD BY

NO.	DESCRIPTION				MATER'L		QUANTITY	REMARKS
					UNIT	MM		
					SCALE	N/S	TITLE	Ass'y
DATE					BY	BY	BY	
	SK,AN					CODE NO.	DWG. NO.	PAGE