

PLT-UN40F Cold Plate, 40mm x 40mm (1.57in x 1.57in)

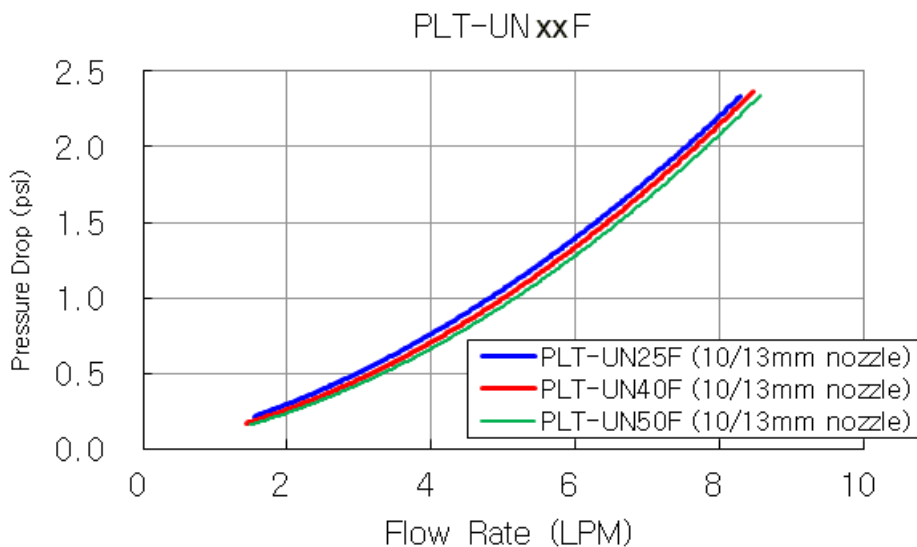


PLT-UN40F is a high-efficiency, general-purpose cold plate for thermal applications such as TEC, LED, image sensor, and semiconductor cooling. The cooling area footprint is 40mm x 40mm (1.57in x 1.57in), and it utilizes a 0.5mm microfin internal structure.

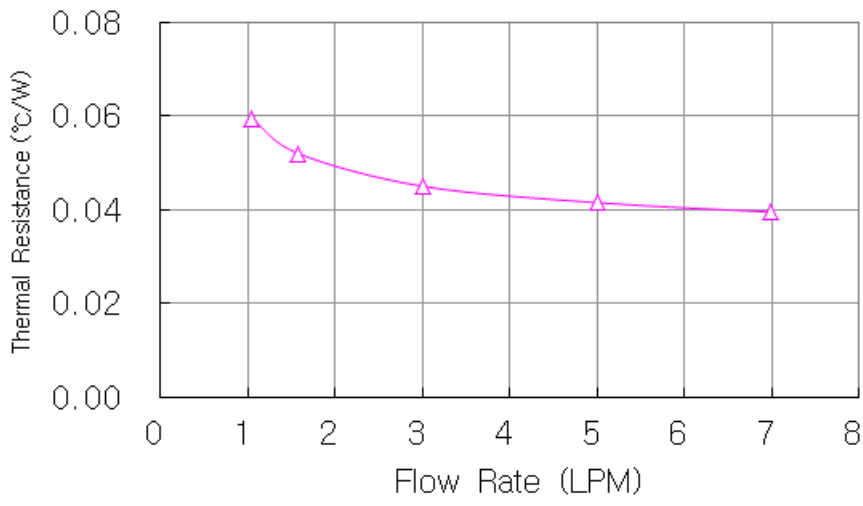
One loose steel bracket is included, designed for easy fabrication and modification (see dimensions under the "Files" tab). The included bracket accommodates diagonal mounting hole distances from approximately 60mm to 88mm (2.36in to 3.46in).

Cold plate materials include copper, a brass top, anti-corrosive nickel plating, and EPDM o-ring. Threaded for G 1/4 BSPP fittings.

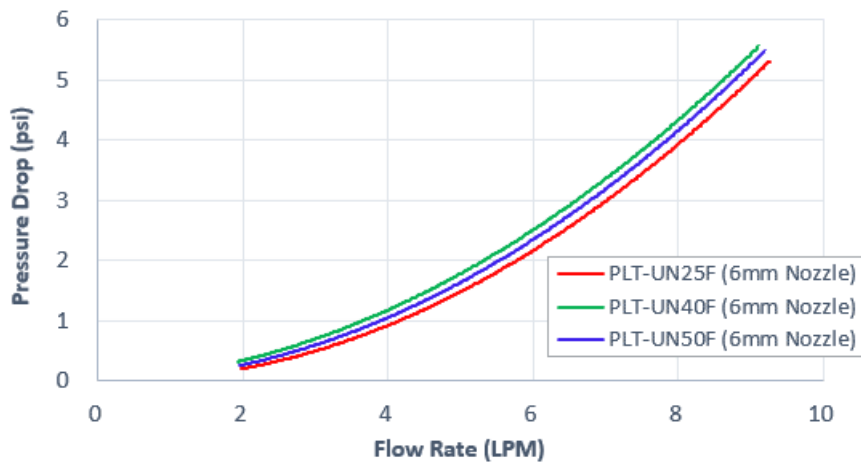
Cold Plates	
Flow Resistance @ 5LPM (10-13mm ID)	0.07 kgf/cm ² (1.0psi)
Thermal Resistance @ 5LPM (Approx.)	0.044° C/W
General	
Weight	0.34 lb (0.15 kg)
Fitting Thread	G 1/4 BSPP
Materials	Nickel-Plated Copper, Nickel-Plated Brass, EPDM
Max Pressure Tolerance @ 25° C	8kgf/cm ² (113.8psi)
Max Temp. Operating Tolerance	100° C (212° F)

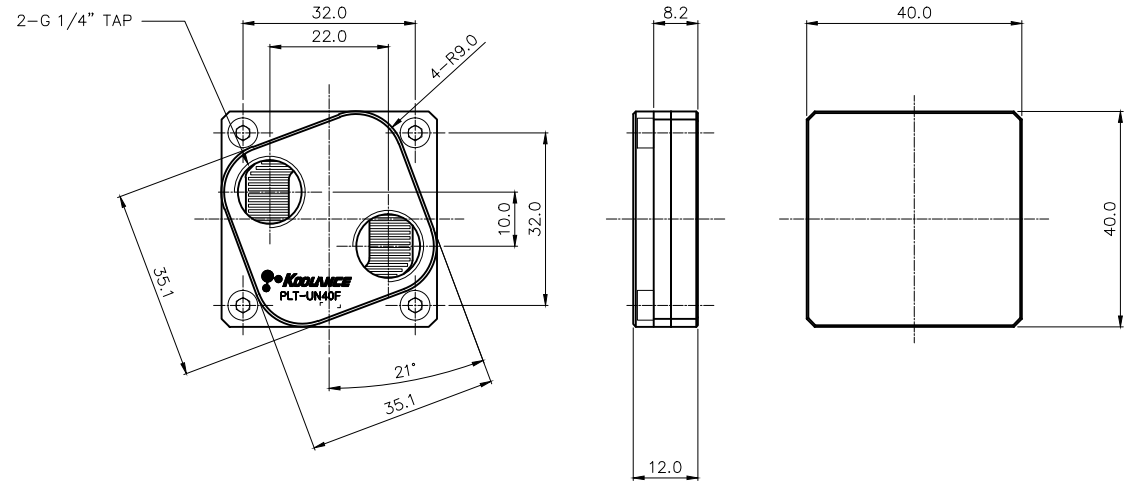
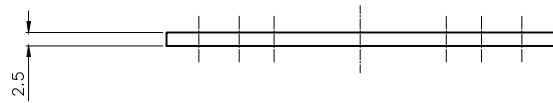
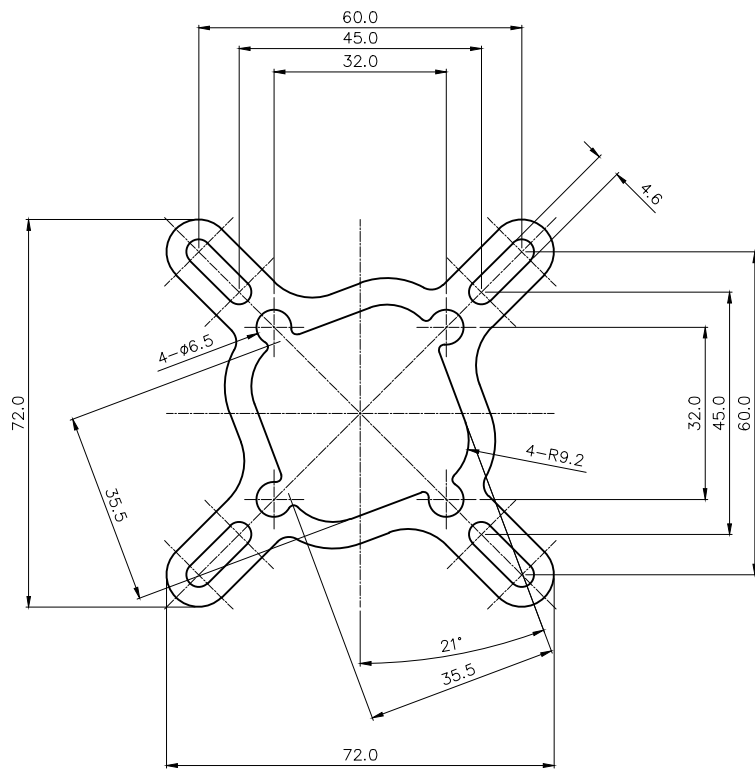


PLT-UN40F



PLT-UNxxF





REV	DATE	CONTENTS	REVD BY	CHKD BY	APPD BY

NO.	DESCRIPTION				MATER'L	QUANTITY	REMARKS
	KODANCE PLT-UN40F				UNIT	MM	ITEM PLT-UN40F
					SCALE	N/S	TITLE
DATE	BY	BY	BY	APPRO BY	3RD ANGLE		
	S.JLEE				CODE NO.	DWG. NO.	PAGE