

PLT-UN45P Cold Plate, 45mm x 45mm (1.8in x 1.8in)



PLT-UN45P is a general-purpose cold plate for thermal applications such as TEC, LED, image sensor, and semiconductor cooling. The cooling area footprint is 45mm x 45mm (1.8in x 1.8in), and it utilizes a square peg array internal structure.

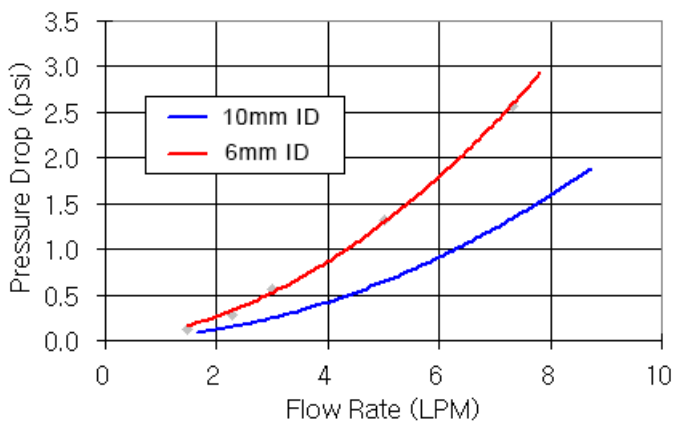
One loose steel bracket is included, designed for easy fabrication and modification (see dimensions under the "Files" tab). The included bracket accommodates diagonal mounting hole distances from approximately 67mm to 95mm (2.64in to 3.7in). The top two screws are for bracket orientation only, and may be removed from the cold plate to freely rotate the bracket.

Cold plate materials include copper, a brass top, anti-corrosive nickel plating, and EPDM o-ring. Threaded for G

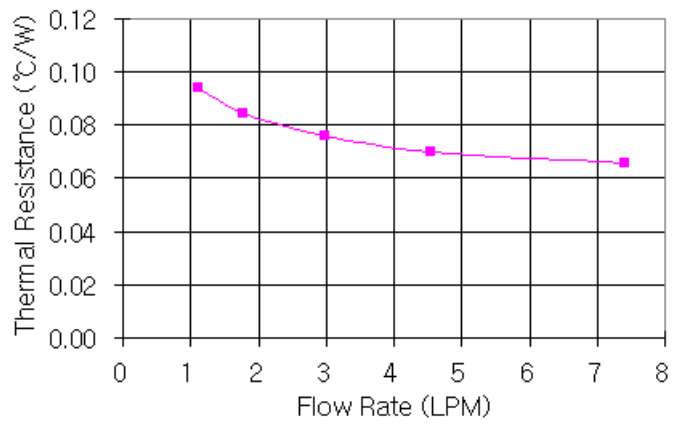
1/4 BSPP fittings.

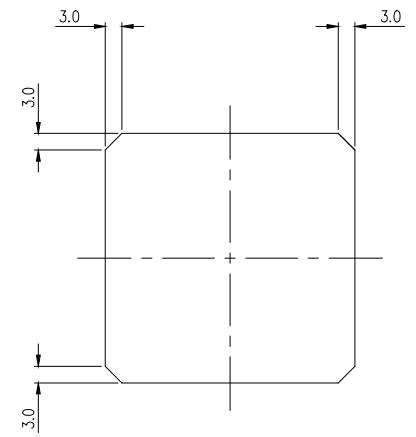
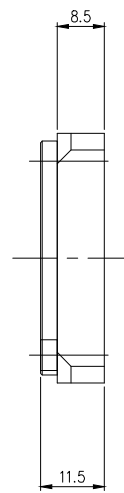
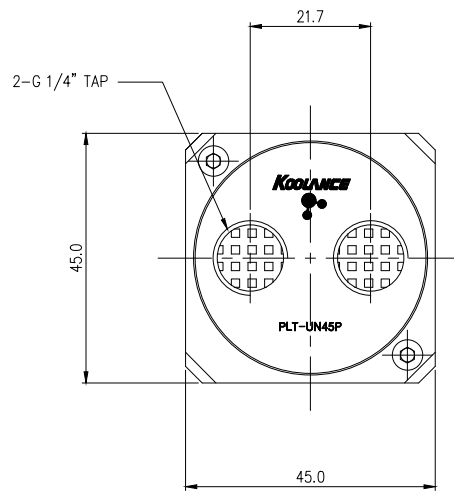
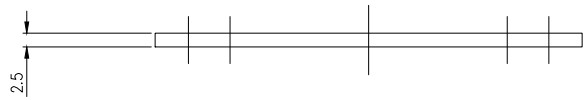
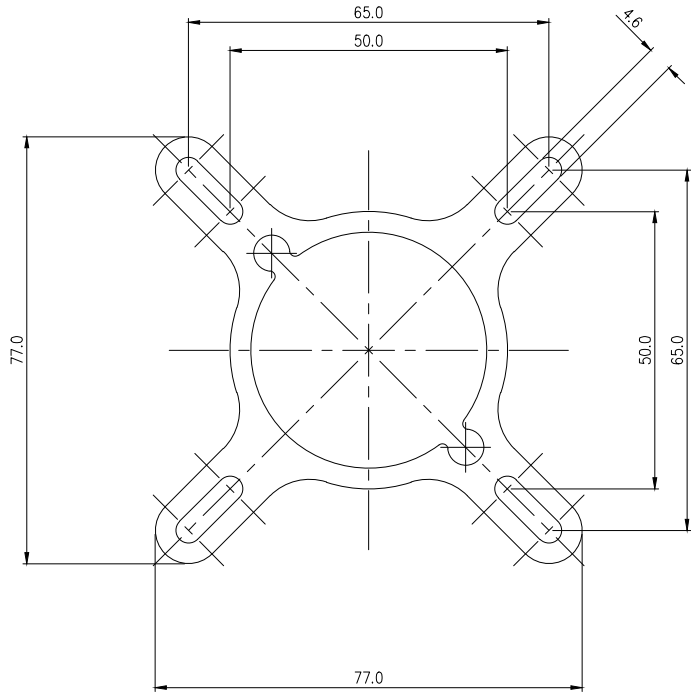
Cold Plates	
Flow Resistance @ 5LPM (10-13mm ID)	0.049kgf/cm ² (0.7psi)
Thermal Resistance @ 5LPM (Approx.)	0.07 °C/W
General	
Weight	0.50 lb (0.23 kg)
Fitting Thread	G 1/4 BSPP
Max Pressure Tolerance @ 25 °C	10kgf/cm ² (142.2psi)
Max Temperature Tolerance	100 °C (212 °F)
Wetted Materials	Nickel-Plated Copper, Nickel-Plated Brass, EPDM

PLT-UN45P



PLT-UN45P





REV	DATE	CONTENTS	REVD BY	CHKD BY	APPD BY
REVISION					

NO.	DESCRIPTION	MATER'L		QUANTITY	REMARKS
		UNIT	MM	ITEM	PLT-UN45F
		SCALE	N/S	TITLE	
				Ass'y	
		3RD ANGLE			
		DATE		CODE NO.	DWG. NO.
		S.J.LEE			
					PAGE



PLT-UN45F