

PLT-UN50F Cold Plate, 50mm x 50mm (1.97in x 1.97in)



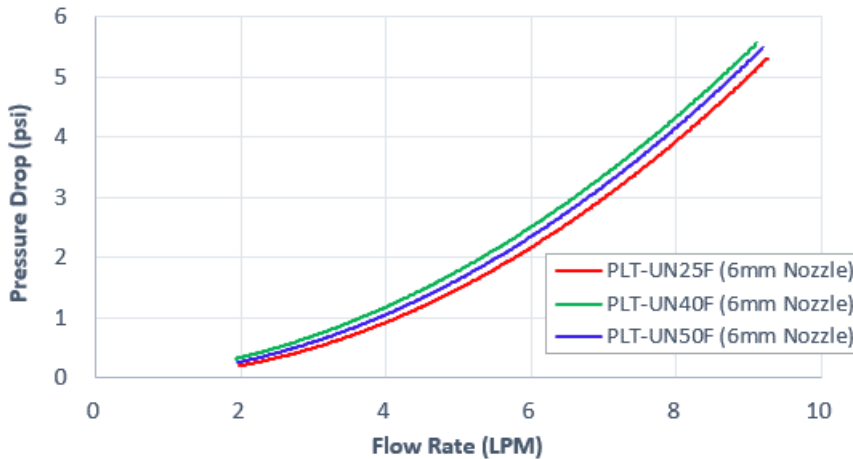
PLT-UN50F is a high-efficiency, general-purpose cold plate for thermal applications such as TEC, LED, image sensor, and semiconductor cooling. The cooling area footprint is 50mm x 50mm (1.97in x 1.97in), and it utilizes a 0.5mm microfin internal structure.

One loose steel bracket is included, designed for easy fabrication and modification (see dimensions under the "Files" tab). The included bracket accommodates diagonal mounting hole distances from approximately 82mm to 116mm (2.0in to 3.2in).

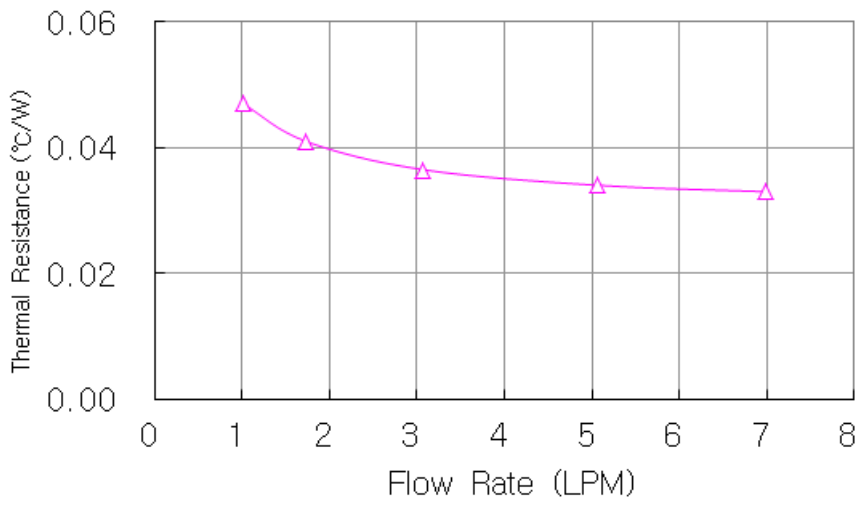
Cold plate materials include copper, a brass top, anti-corrosive nickel plating, and EPDM o-ring. Threaded for G 1/4 BSPP fittings.

Cold Plates	
Flow Resistance @ 5LPM (10-13mm ID)	0.063 kgf/cm ² (0.9psi)
Thermal Resistance @ 5LPM (Approx.)	0.033° C/W
General	
Weight	0.50 lb (0.23 kg)
Fitting Thread	G 1/4 BSPP
Materials	Nickel-Plated Copper, Nickel-Plated Brass, EPDM
Max Pressure Tolerance @ 25° C	8kgf/cm ² (113.8psi)
Max Temp. Operating Tolerance	100° C (212° F)

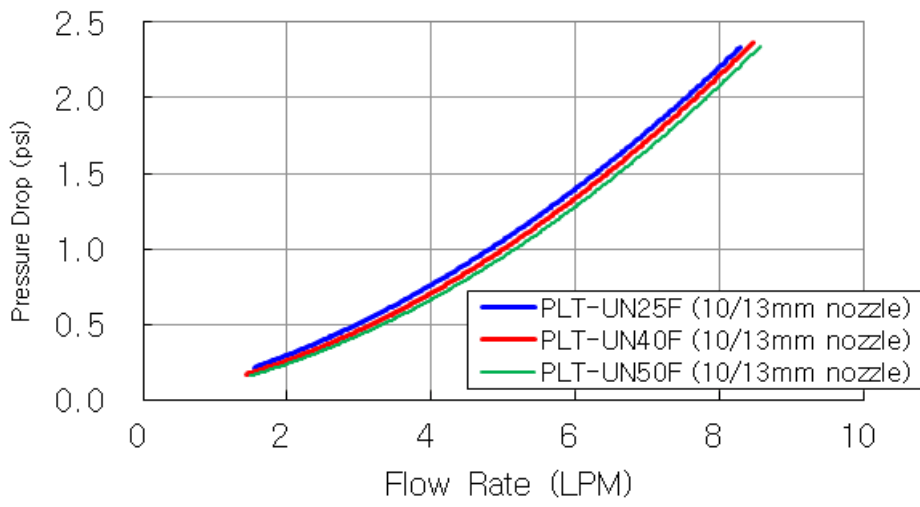
PLT-UNxxF

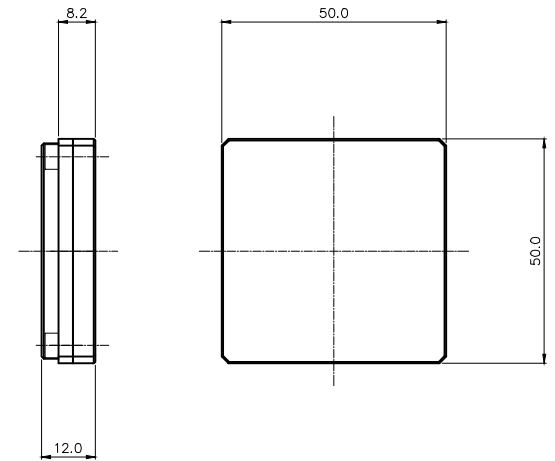
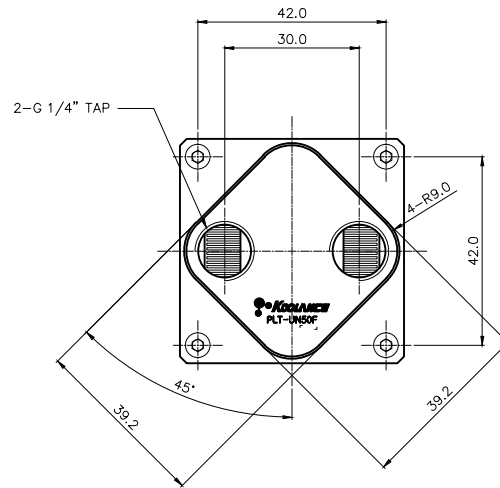
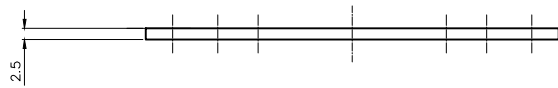
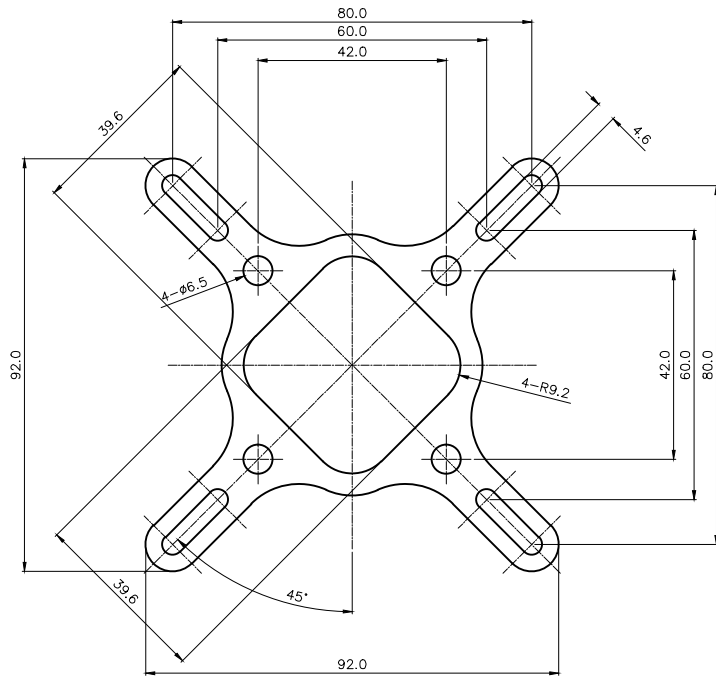


PLT-UN50F



PLT-UN xx F





REV	DATE	CONTENTS	REVD BY	CHKD BY	APPD BY

NO.	DESCRIPTION				MATER'L		QUANTITY	REMARKS
	KOLANCE PLT-UN50F				UNIT	MM	ITEM	PLT-UN50F
					SCALE	N/S	TITLE	Ass'y
DATE	BY	BY	BY	APPRO BY	3RD ANGLE			
	S.J.LEE				CODE NO.	DWG. NO.		PAGE