

PLT-UN62F Cold Plate, 62mm x 62mm (2.44in x 2.44in)

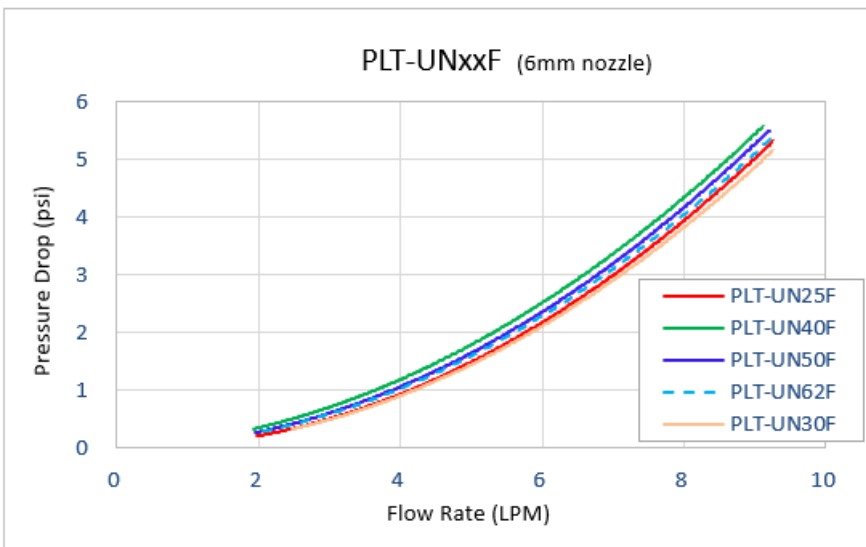


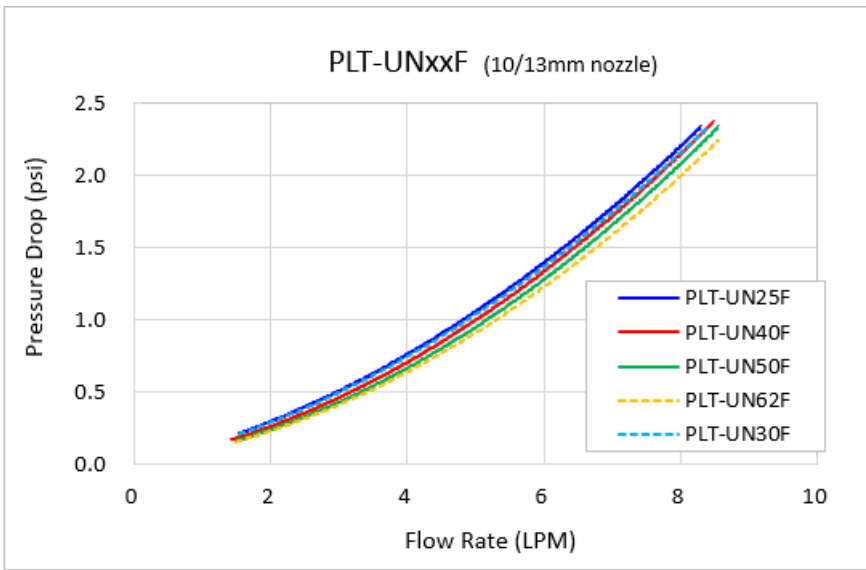
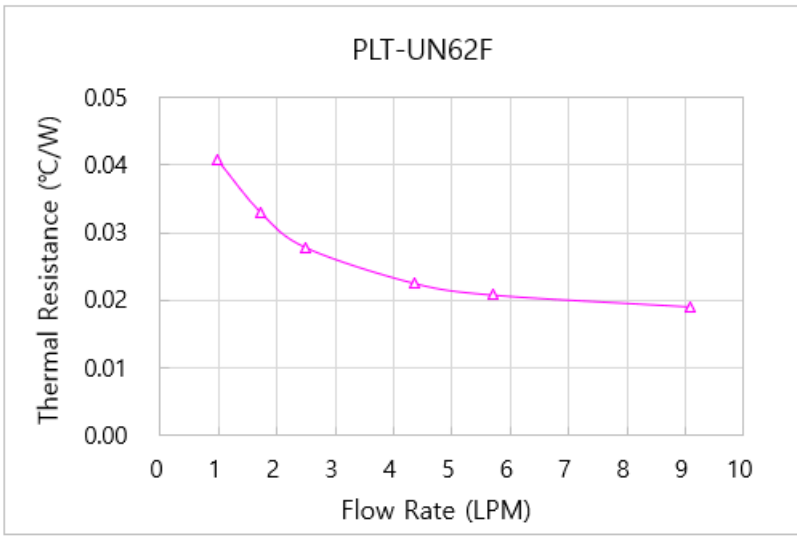
PLT-UN62F is a high-efficiency, general-purpose cold plate for thermal applications such as TEC, LED, image sensor, and semiconductor cooling. The cooling area footprint is 62mm x 62mm (2.44in x 2.44in), and it utilizes a 0.5mm microfin internal structure.

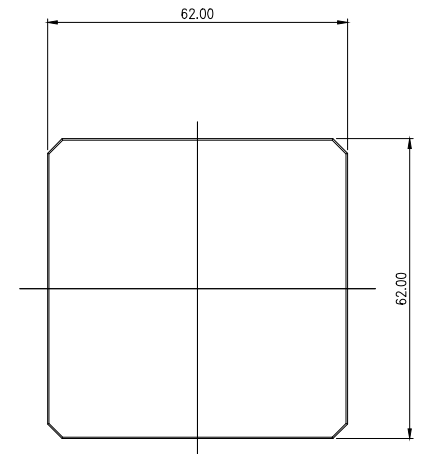
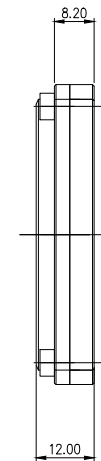
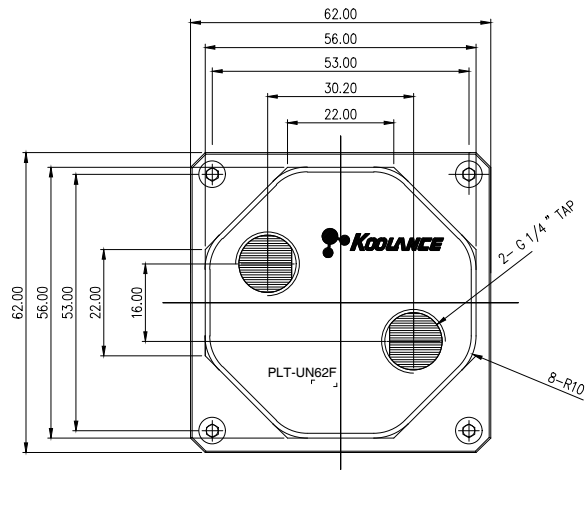
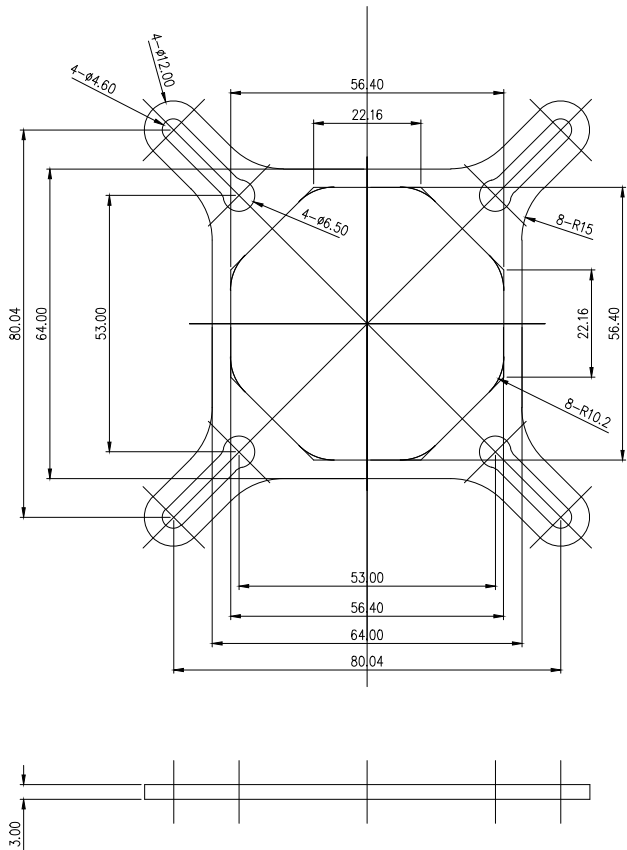
One loose steel bracket is included, designed for easy fabrication and modification (see dimensions under the "Files" tab). The included bracket accommodates diagonal mounting hole distances from approximately 85mm to 116mm (3.35in to 4.57in).

Cold plate materials include copper, a brass top, anti-corrosive nickel plating, and EPDM o-ring. Threaded for G 1/4 BSPP fittings.

Cold Plates	
Flow Resistance @ 5LPM (10-13mm ID)	0.056 kgf/cm ² (0.8psi)
Thermal Resistance @ 5LPM (Approx.)	0.021 °C/W
General	
Weight	1.90 lb (0.86 kg)
Fitting Thread	G 1/4 BSPP
Max Pressure Tolerance @ 25°C	8kgf/cm ² (113.8psi)
Max Temperature Tolerance	100°C (212°F)
Wetted Materials	Nickel-Plated Copper, Nickel-Plated Brass, EPDM







NO.	DESCRIPTION	MATER'L		QUANTITY	REMARKS
		UNIT	MM		
	KOOLANCE			ITEM	PLT-UN62F
		SCALE	N/S	TITLE	
				Ass'y	
DATE	BY	BY	BY	APPRD BY	3RD ANGLE
	SK.AN				CDDE NO.
					DWG. NO.
					PAGE

REVISION	DATE	CONTENTS	REVD BY	CHKD BY	APPD BY