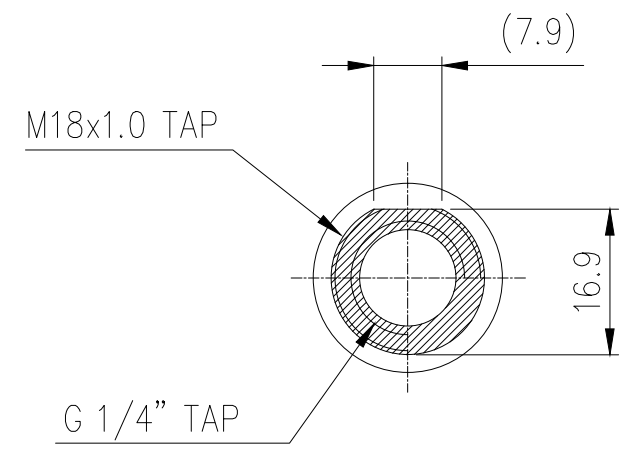
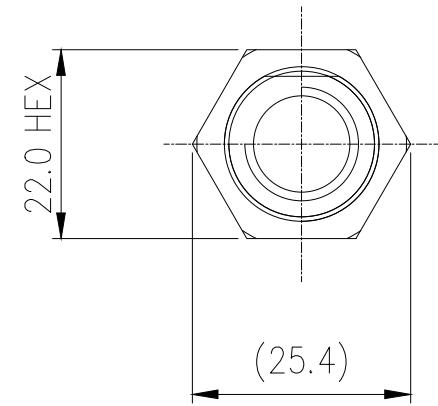
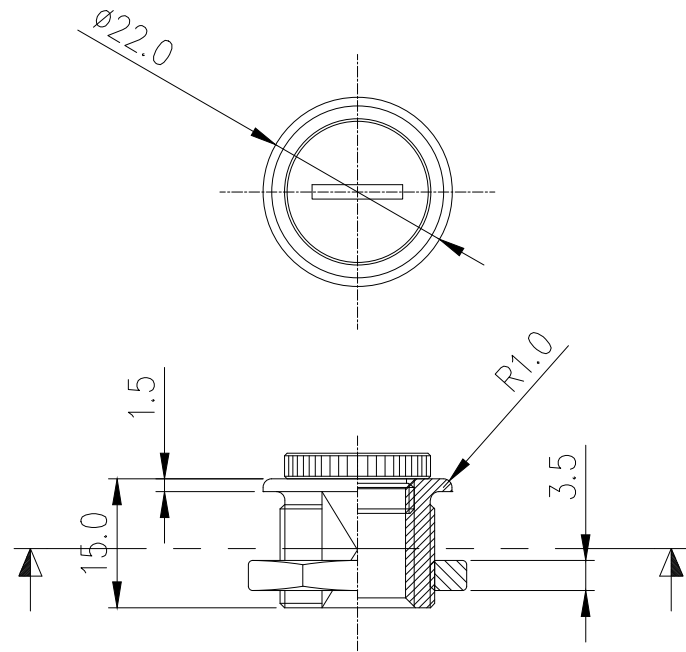




Coolant fill port for configurations without reservoirs (T-line air bleeding), or for separately locating the fill port from the reservoir. Can also be used as a drain valve if positioned low in the system. G 1/4 BSPP fitting threading, with bore size of 18mm (0.7"). Nickel-plated brass.

General	
Weight	0.06 lb (0.03 kg)
Fitting Thread	G 1/4 BSPP
Max Pressure Tolerance @ 25 °C	15kgf/cm2 (213.4psi)
Max Temperature Tolerance	120 °C (248 °F)
Wetted Materials	Nickel-Plated Brass, EPDM



SECTION VIEW

NO.	DESCRIPTION	MATER'L		QUANTITY	REMARKS
	<b>KOOLANCE</b>	UNIT	MM	PART NO. PRT-XGK	
		SCALE	N/S	TITLE	
DATE	BY	BY	APPRO BY	3RD ANGLE	
APR.07.2022	S.J.LEE			DWG. NO.	ITEM
					Ass'y