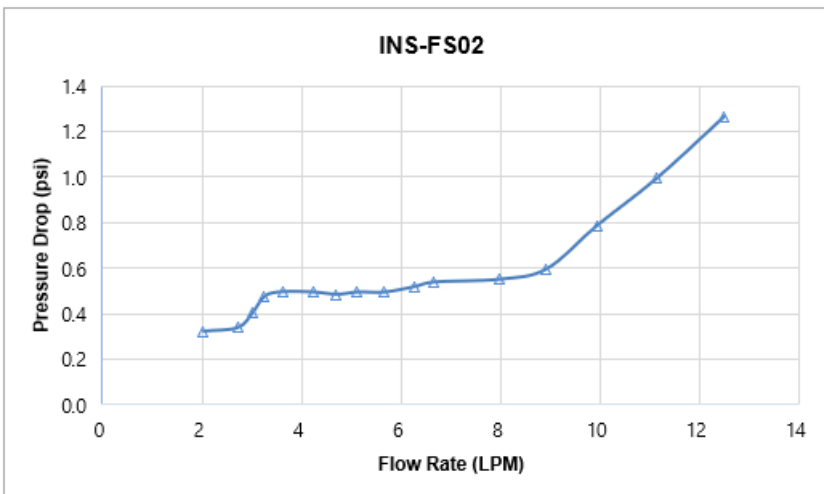


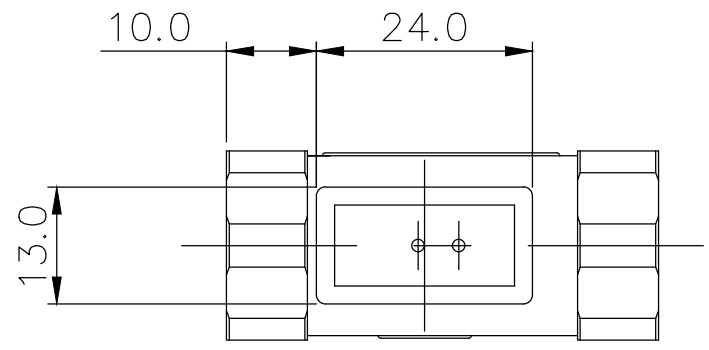
INS-FS02 Coolant Flow Switch, Stainless Steel



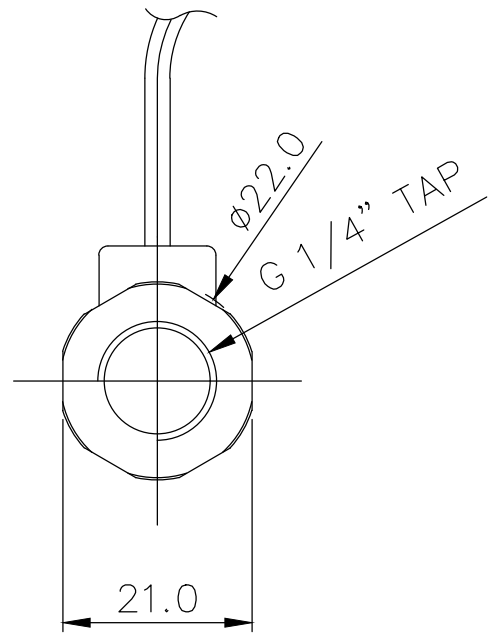
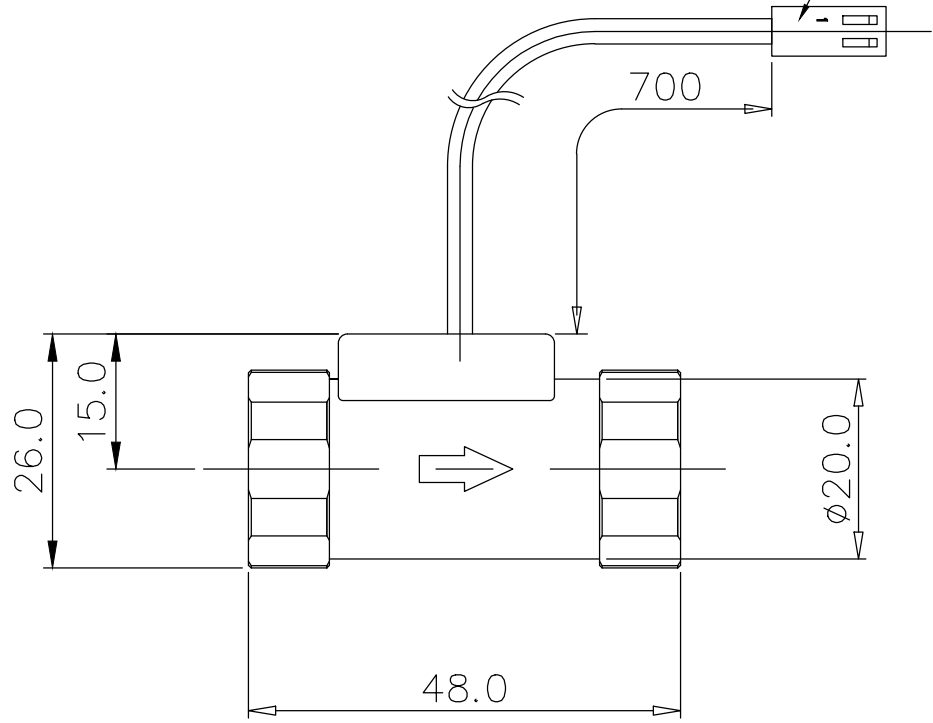
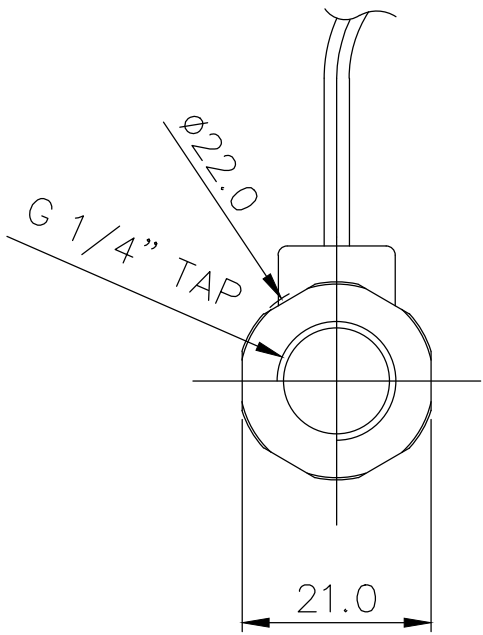
Koolance's inline flow switch provides a simple electronic confirmation of coolant flow. The switch will close if the flow rate stays above 2.0LPM / 0.53GPM (+/-10%), and opens when below. Fitting threads are G 1/4 BSPP, and the primary materials are stainless steel and nickel-plated brass. Wire length is about 28" (70cm). It is recommended to keep current through the flow switch at 10mA or less to prevent damage.

General	
Weight	0.18 lb (0.08 kg)
Fitting Thread	G 1/4 BSPP
Max Pressure Tolerance @ 25°C	10kgf/cm2 (142.2psi)
Max Temperature Tolerance	80°C (176°F)
Min Storage Temperature (*No Freezing)	-30°C (-22°F)
Wetted Materials	Nickel-Plated Brass, Stainless Steel, POM Acetal, Neodymium





MOLEX P/N : 22-01-1022 or Equivalent



NO.	DESCRIPTION				MATER'L		QUANTITY	REMARKS
					UNIT	MM		
	KOOLANCE				SCALE	N/S	APPAR	INS-FS02
DATE					BY	BY	BY	APPROD BY
09/17/2020	YS.Shin				CODE NO.	DWG. NO.		