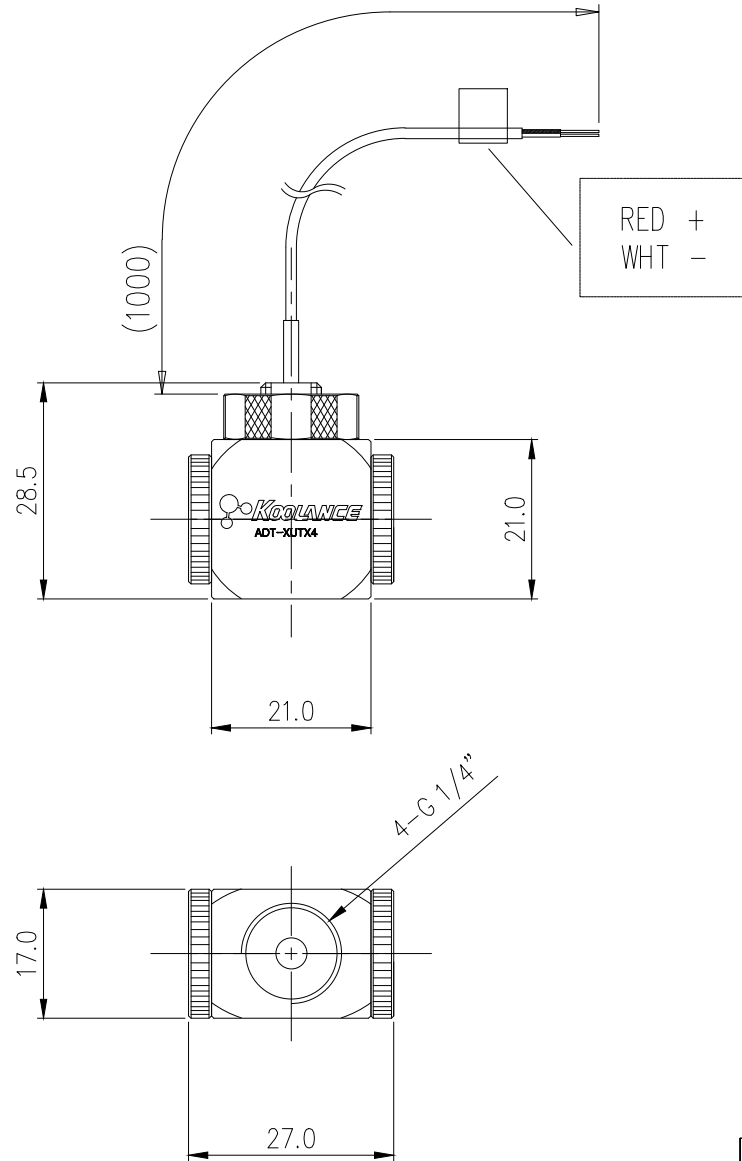


Coolant Temperature Sensor, Brass, K-Type Thermocouple



Coolant K-type thermocouple temperature sensor with fitting body. This product is designed to be placed inline on any hose. Simply choose G 1/4 BSPP threaded fittings for the desired hose diameter. Wire length = 30" (76cm). Accuracy = +/-1.5°C, temperature range = -40 to 120°C (-40 to 248°F).

General	
Weight	0.21 lb (0.10 kg)
Fitting Thread	G 1/4 BSPP
Max Temperature Tolerance	120 °C (248 °F)
Wetted Materials	Nickel-Plated Brass, Stainless Steel, EPDM



NO.	DESCRIPTION	MATER'L	QUANTITY	REMARKS
	KOOLANCE	UNIT	MM	ITEM SEN-TCK01B
		SCALE	N/S	TITLE
	BY	BY	APPRO BY	3RD ANGLE
DATE				
APR.05.2021	S.J.LEE			CODE NO.
				DWG. NO.
				PAGE

Ass'y