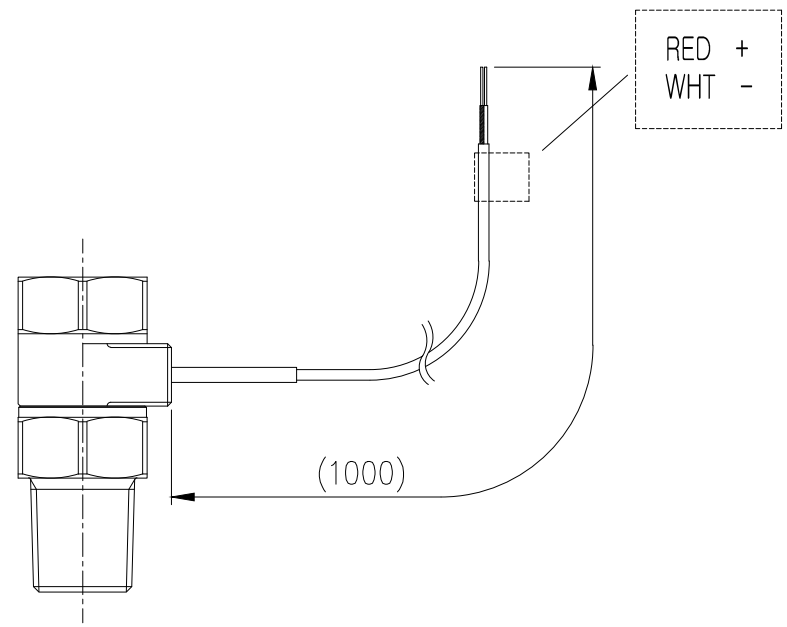
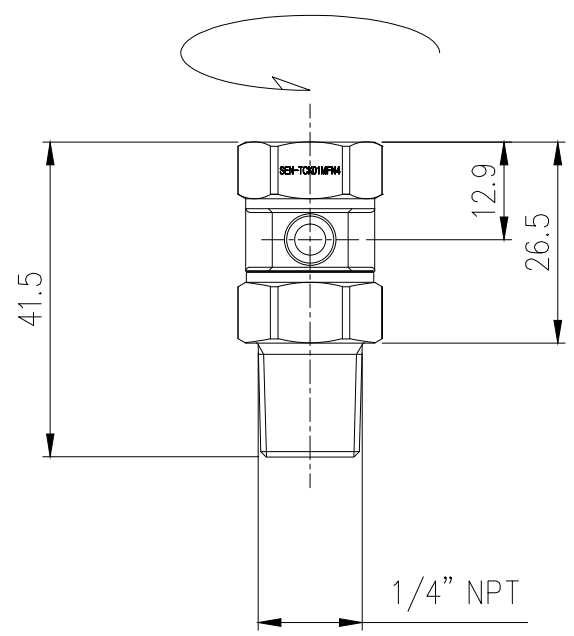
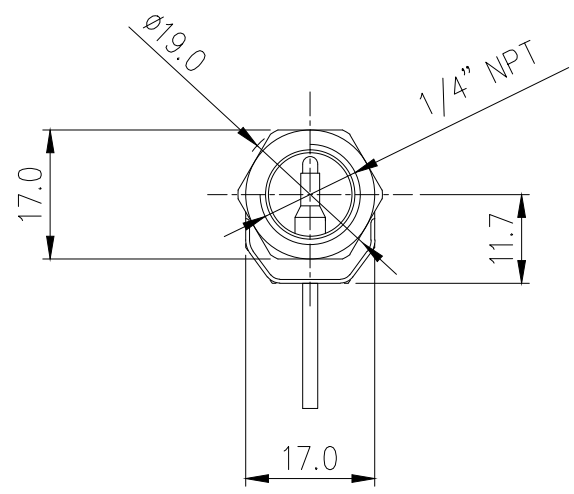


## Coolant Temperature Sensor Inline, Male/Female Threads, K-Type Thermocouple



Coolant thermocouple temperature sensor within a swiveling brass body. Male and female NPT 1/4" threads are provided on either end. Wire length = 30" (76cm). Accuracy = +/- 1.5°C, temperature range = -40 to 120°C (-40 to 248°F).

General	
Weight	0.30 lb (0.14 kg)
Fitting Thread	NPT 1/4
Max Pressure Tolerance @ 25°C	10 kgf/cm <sup>2</sup>
Wetted Materials	Nickel-Plated Brass, EPDM



NO.	DESCRIPTION	MATER'L		QUANTITY	REMARKS
	<b>KOOLANCE</b>	UNIT	MM	ITEM	SEN-TCK01MFN4
	BY	BY	BY	APPRO	TITLE Ass'y
DATE				BY	
	S.J.LEE				3RD ANGLE
					CODE NO.
					DWG. NO.
					PAGE