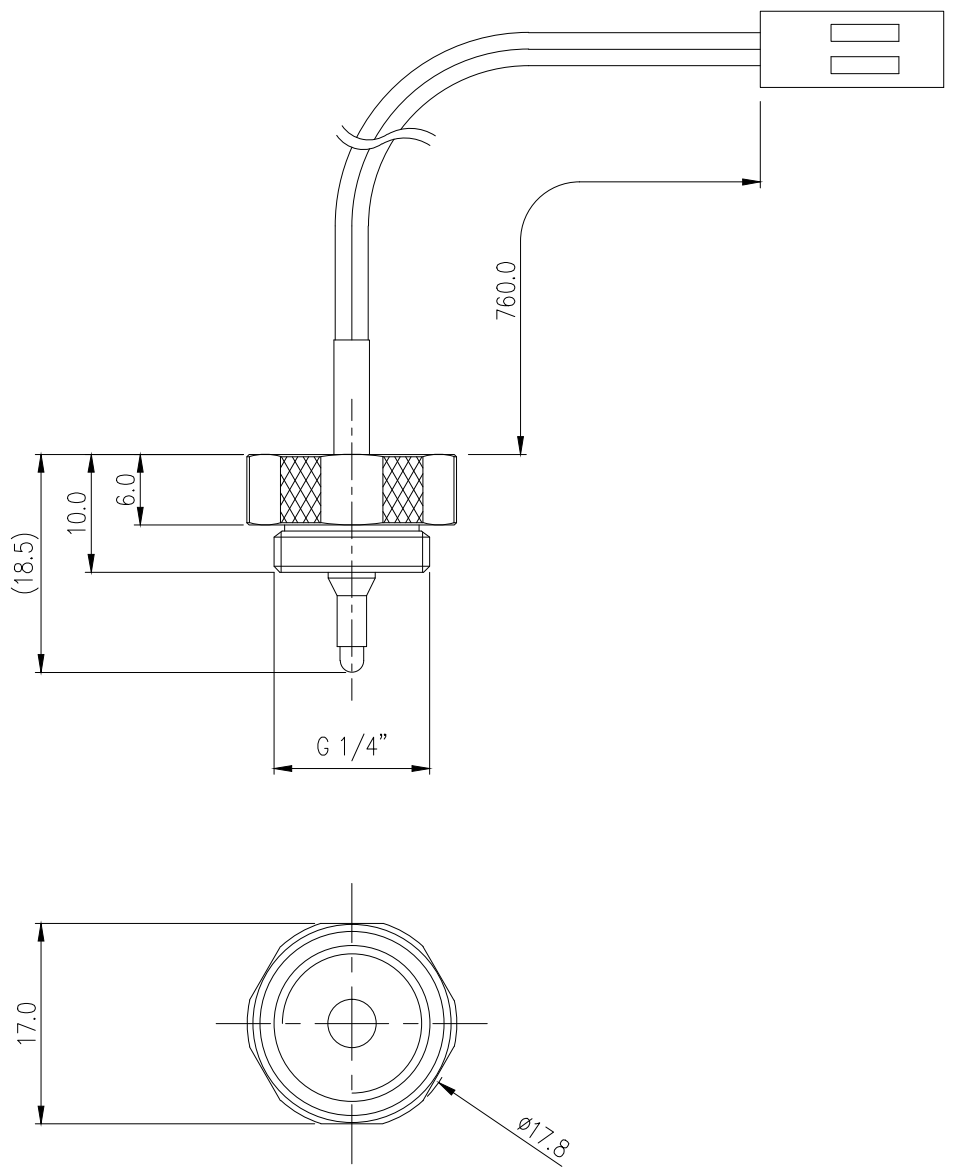


Coolant Temperature Sensor Plug, 10K Ohm



Coolant thermistor temperature sensor compatible with Koolance multi-sensor systems. Sensor fitting is G 1/4 BSPP (parallel) threaded. Wire length = 30" (76cm). NOTE: This sensor will only work with Koolance products which use 10K Ohm @25°C sensors (first introduced in 2011).

General	
Weight	0.04 lb (0.02 kg)
Fitting Thread	G 1/4 BSPP
Materials	Nickel-Plated Brass, Stainless Steel, EPDM
Max Temperature	120°C (248°F)



NO.	DESCRIPTION	MATER'L	QUANTITY	REMARKS
	KOOLANCE	UNIT	MM	ITEM SEN-AP008G(-BK)
		SCALE	N/S	TITLE
DATE	BY	BY	APPROD BY	3RD ANGLE
01/22/2019	S.J.LEE			Ass'y
			CODE NO.	DWG. NO.
				PAGE