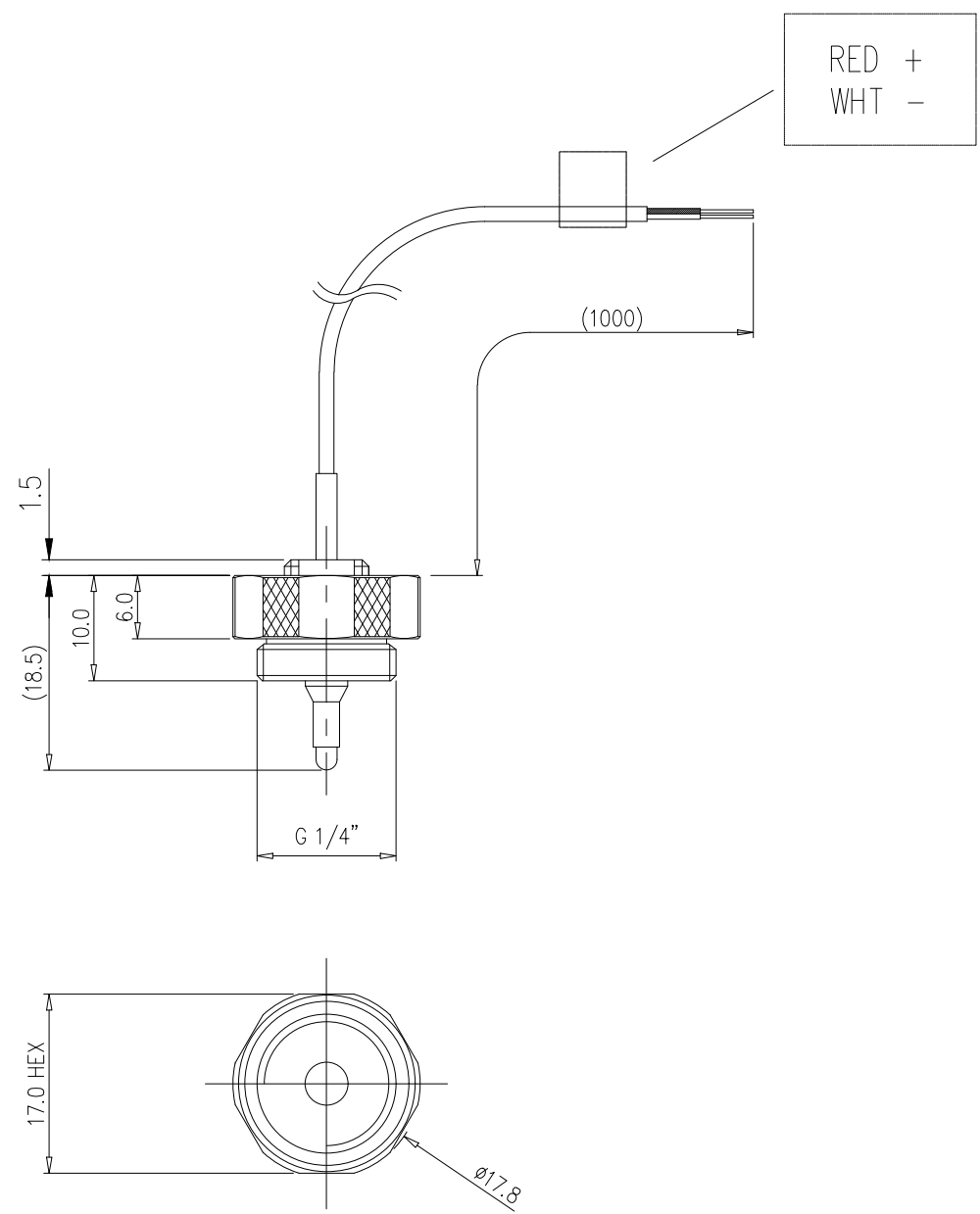


Coolant Temperature Sensor Plug, K-Type Thermocouple



Coolant K-type thermocouple sensor, compatible with Koolance EXC and ALX series systems. Sensor fitting is G 1/4 BSPP (parallel) threaded. Wire length = 38" (965mm). Accuracy = +/-1.5°C, temperature range = -40 to 120°C (-40 to 248°F).

General	
Weight	0.04 lb (0.02 kg)
Fitting Thread	G 1/4 BSPP
Max Temperature Tolerance	120°C (248°F)
Wetted Materials	Nickel-Plated Brass, Stainless Steel, EPDM



NO.	DESCRIPTION	MATER'L	QUANTITY	REMARKS
	KOOLANCE	UNIT	MM	APPAR SEN-TCK01G
		SCALE	N/S	TITLE
DATE	BY	BY	APPRO BY	3RD ANGLE
APR.05.2021	S.J.LEE			DWG. NO.
				Ass'y