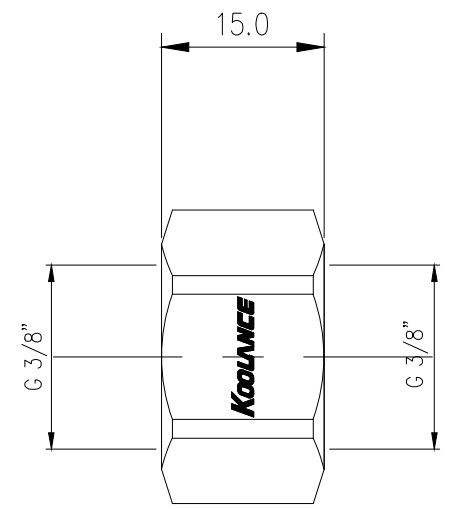
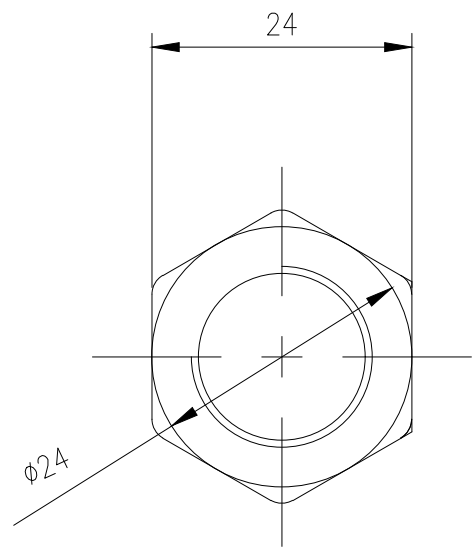


## Fitting Coupling Adapter, Female-Female, G 3/8 BSPP



The Koolance Fitting Coupling Adapter provides a convenient coupler for converting between any two G 3/8 BSPP (parallel) thread fittings. Easily adapt any tubing diameter to another, for example, or a swiveling connection to a barb fitting.

General	
Weight	0.13 lb (0.06 kg)
Fitting Thread	G 3/8 BSPP
Max Pressure Tolerance @ 25 °C	15kgf/cm <sup>2</sup> (213.4psi)
Max Temperature Tolerance	120 °C (248 °F)
Wetted Materials	Brass, Nickel Plating



NO.	DESCRIPTION				MATER'L		QUANTITY	REMARKS
	<b>KOOLNCE</b>				UNIT	MM	ITEM	ADT-XFF-G38
					SCALE	N/S	TITLE	Ass'y
DATE	BY	BY	BY	APPROD BY	DECIMAL PLACES	DWG. NO.	PAGE	
	SK.AN				0 : ±0.3 0.X : ±0.1 0.XX : ±0.05			
					CODE NO.			