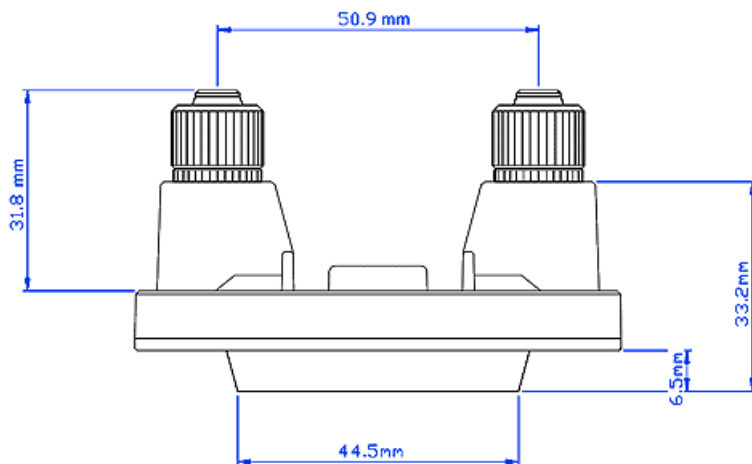
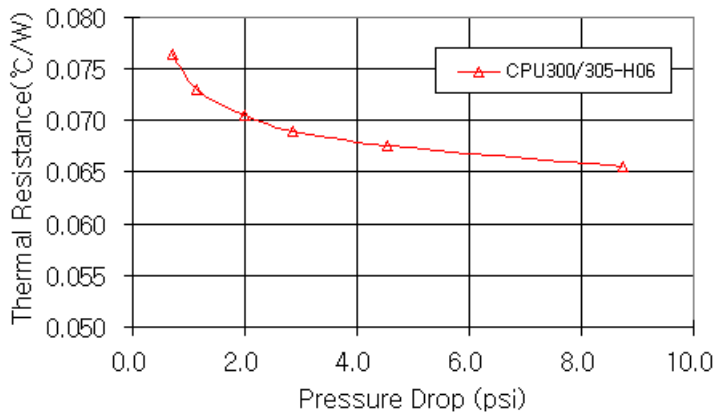




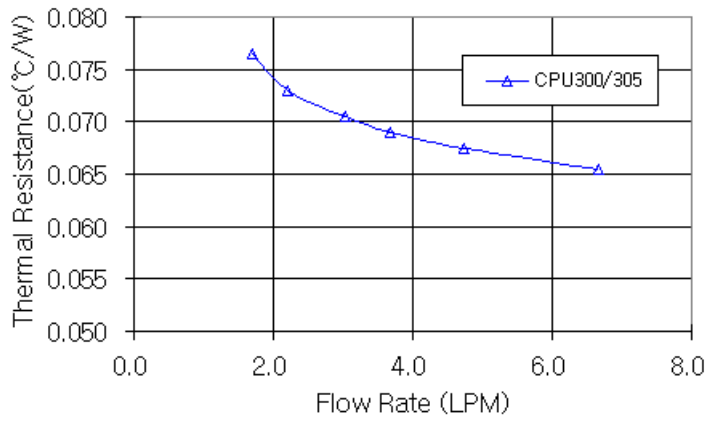
The CPU-305 uses a patented Koolance design. It supports identical processors to the CPU-300, plus Xeon 771, but includes different brackets. With slightly increased height, it will mount to Intel LGA775 processors (Quad, Core 2 Duo, Core Duo, Extreme, Pentium) without the Koolance spacer. The CPU-305 cooler also includes mounting brackets for: AMD (64, Opteron, X2, FX, Sempron), and Intel 478 (Pentium 4, D, EE, M, Celeron) processors. Adapters for Xeon (603, 604, 771), Celeron, P-III, Duron, and AMD XP are sold separately; see compatibility for details.

General	
Weight	1.00 lb (0.45 kg)

Thermal Resistance vs. Pressure Drop



Thermal Resistance vs. Flow Rate



Pressure Drop vs. Flow Rate

