



The high flow, all-purpose CPU-345 improves upon Koolance's patented design with increased surface area and better coolant flow positioning. Materials include a high-density solid copper cold plate, anti-corrosive nickel plating, and a transparent acrylic (model CPU-345AC) or opaque acetal (model CPU-345AT) top.

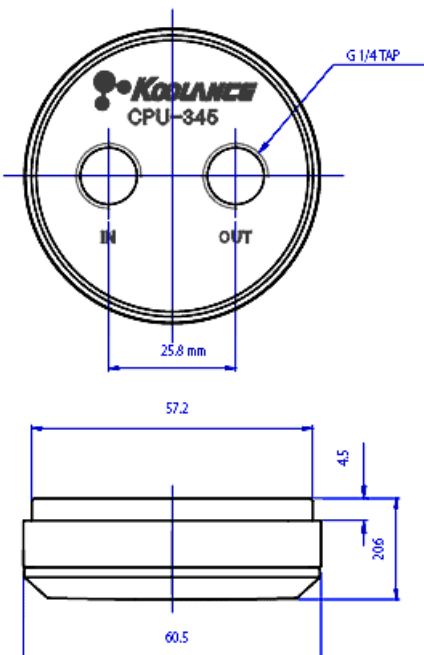
A steel universal bracket maximizes heat transfer with precision contact. Koolance's innovative new hinging post design greatly reduces footprint above the motherboard to help avoid conflicts. The CPU-345 has standard G 1/4 BSPP threading for any Koolance fitting diameter. Please select the desired fitting type for this base model (it does not include fittings). Two types of rear insulating pads are included. The CPU-345 is not permanently sealed and can be opened.

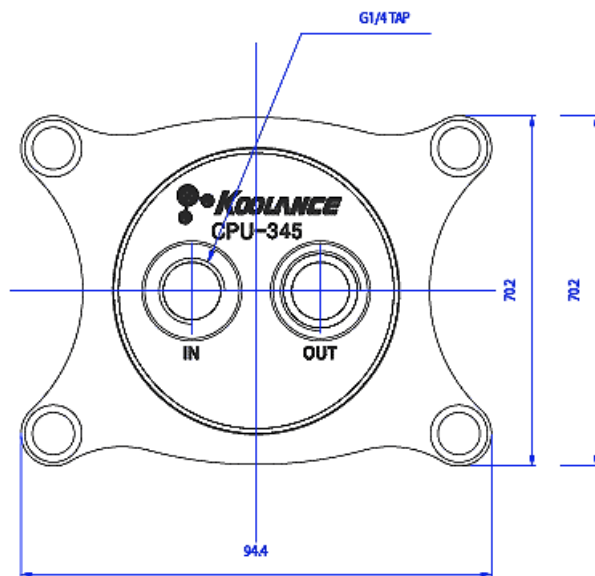
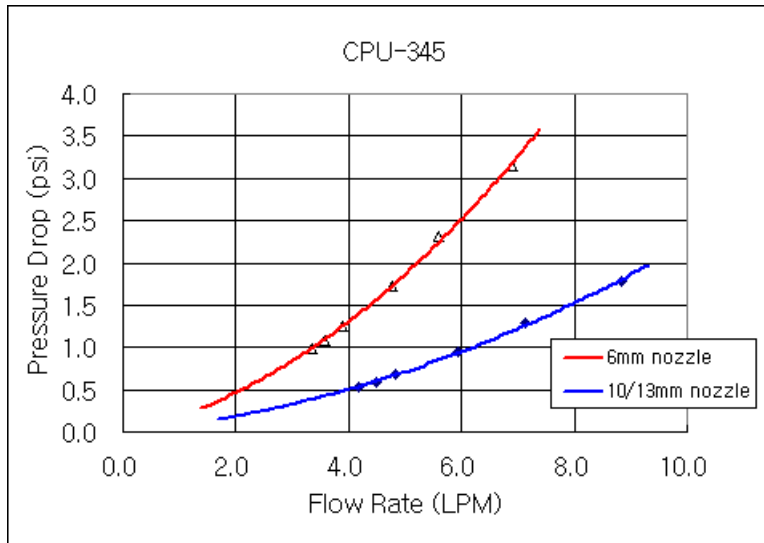
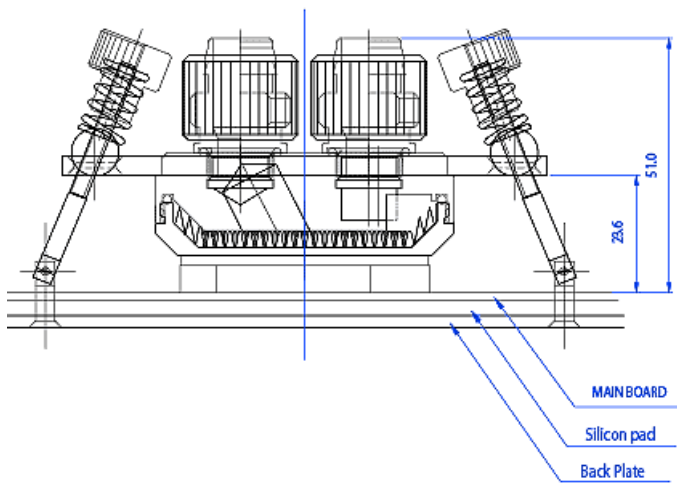
The CPU-345 supports most boards using the following

processors:

- AMD AM2, AM2+, and AM3
- Intel LGA 1366 (Core i7)
- Intel LGA 775 (Quad, Core 2 Duo, Core Duo, Extreme, Pentium)
- Intel 478 (Pentium 4, D, EE, M, Celeron)
- Intel Xeon (603, 604, LGA771)

General	
Weight	1.25 lb (0.57 kg)
Wetted Materials	Nickel-Plated Copper, Nickel-Plated Brass, PMMA Acrylic, Silicone





### CPU-345

(CPU : Intel Core i7-920)

