

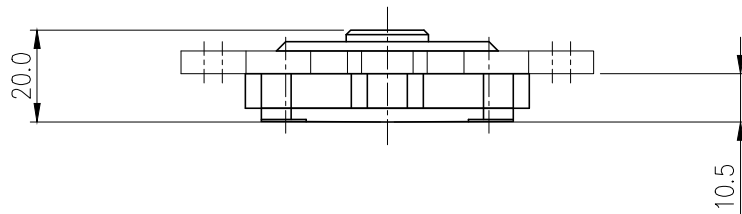
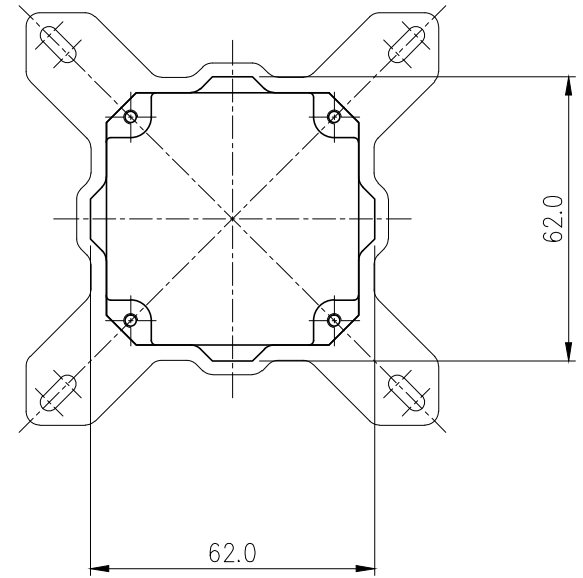
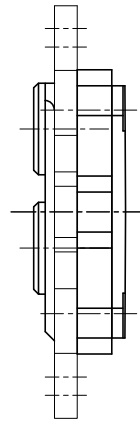
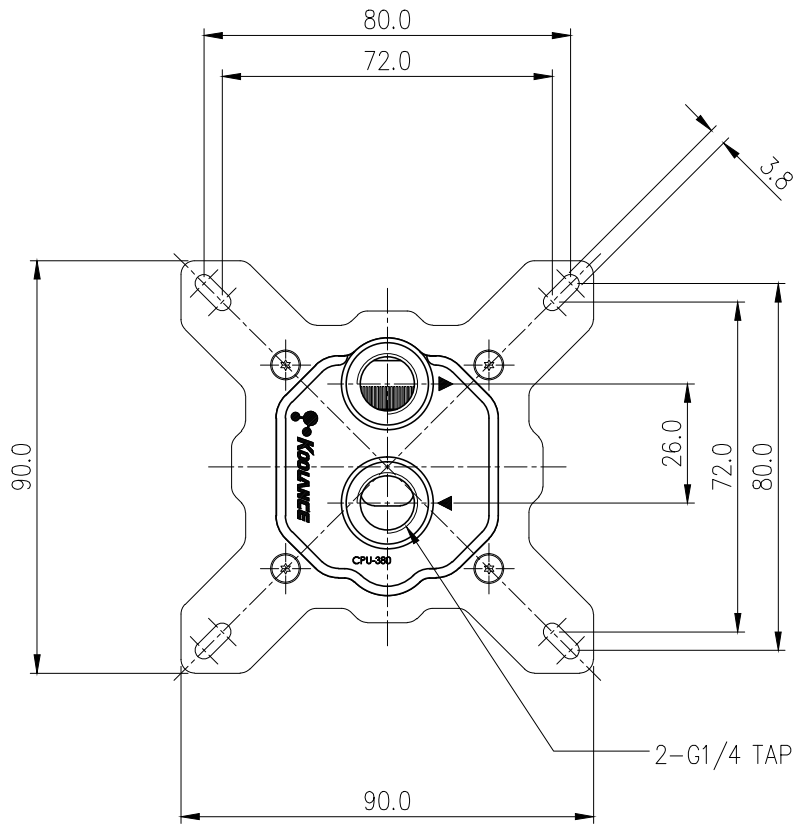


The Koolance CPU-380 sets a new standard for manufacturing quality and thermal performance. From the cold plate and flow path to the mounting hardware, every aspect of the block has been refined with unprecedented results.

It features a microfin nickel-plated copper cold plate, acetal top, and thick steel mounting bracket. Standard G 1/4 BSPP threading will accept any Koolance fitting diameter up to 19mm (3/4in) OD compression style. Please select the desired fitting type for this base model (it does not include fittings). The CPU-380I supports most boards using the following processors:

- Intel socket LGA 2011 / 2011-v3 (Square ILM only)
- Intel socket LGA 1150
- Intel socket LGA 1151
- Intel socket LGA 1155 / 1156
- Intel socket LGA 1366 (may require [BLT-CPASZD12](#) for fixed motherboard back plates)
- Intel socket LGA 775

General	
Weight	0.36 lb (0.16 kg)
Max Pressure Tolerance @ 25 °C	2kgf/cm2 (28.5psi)
Max Temperature Tolerance	80 °C (176 °F)
Wetted Materials	Nickel-Plated Copper, Stainless Steel, POM Acetal, EPDM



NO.		DESCRIPTION			MATER'L		QUANTITY	REMARKS
		UNIT	MM	APPAR	CPU-380I			
		SCALE	N/S	TITLE	Ass'y			
DATE	BY	BY	BY	APPRO	BY	3RD ANGLE		
	S. J. LEE					REF. NO.	DWG. NO.	