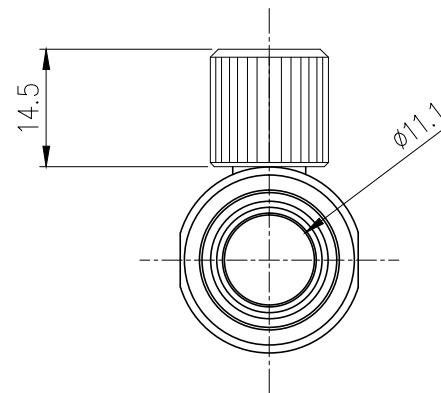
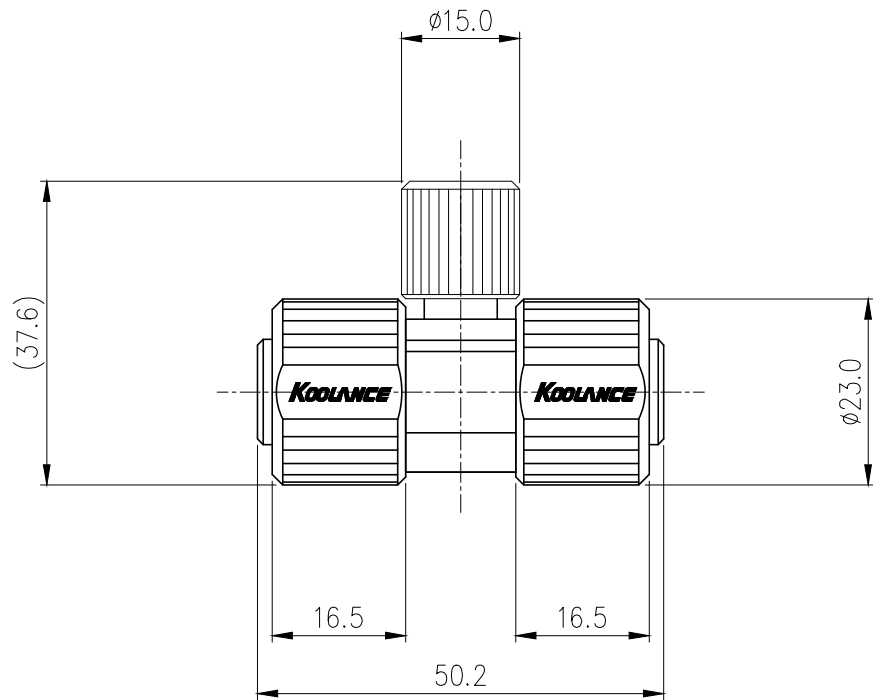




Inline drain valve to expedite coolant evacuation without turning your unit upside-down. Nickel-plated brass.

To use, simply install the valve on a 13mm (1/2in) ID, 16mm (5/8in) OD line near the bottom of your setup. When you need to empty the system, place a 1-Liter container below the valve and unscrew it. Next, open the top Koolance reservoir refill plug on your cooling system.

General	
Weight	0.23 lb (0.10 kg)
Max Pressure Tolerance @ 25° C	15kgf/cm2 (213.4psi)
Max Temperature Tolerance	120° C (248° F)
Wetted Materials	Nickel-Plated Brass, EPDM



NO.	DESCRIPTION	MATER'L	QUANTITY	REMARKS
	KOOLANCE	UNIT	MM	ITEM VLV-13TSPL
		SCALE	N/S	TITLE
DATE	BY	BY	BY	BY
	S.J.LEE			
			3RD ANGLE	
			CODE NO.	DWG. NO.
				PAGE
				Ass'y

REVISION	DATE	CONTENTS	REVD BY	CHKD BY	APPD BY