

EXT-440CU Computer Liquid Cooling System, Rev3.0



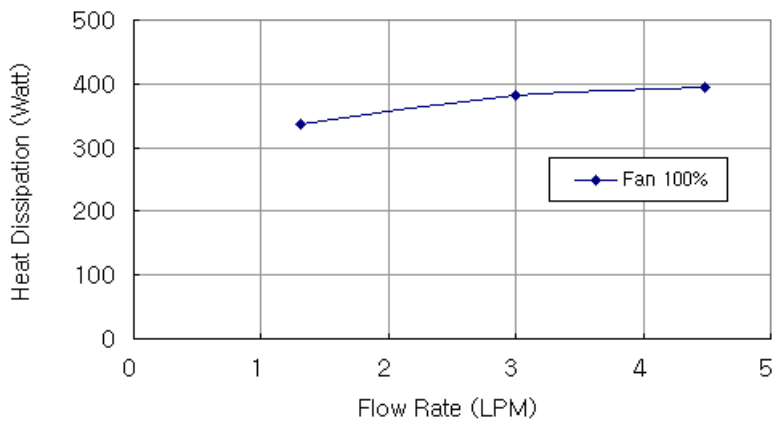
EXT-440CU is a compact ambient liquid cooling system designed with features for computer cooling. This model contains a single x 120mm fan copper/brass radiator, providing roughly 400W of cooling with a 25° C ambient delta. Just add tubing, fittings, [coolant](#), and connect to your cold plate(s).

- Reservoir capacity: 157ml (5.3 fl oz)
- G 1/4 BSPP threads on back for fittings

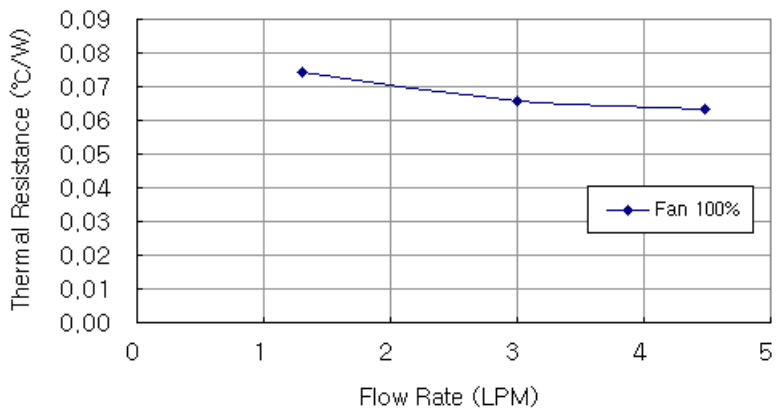
- Cooling capacity: 400W (1365BTU/hr) with 25° C liquid-ambient delta @ 6.5LPM
- Radiator fan speed: automatic based on temperature, or 10 manual levels
- Pump: 10 manual levels, up to 6.5LPM (1.7GPM)
- Adjust audio alarm based on 3 included temperature sensors
- Relay trigger can be adjusted based on temperature
- Power input: 12VDC (via computer Molex plug), or 110/220VAC with separate [adapter](#)

General	
Weight	5.50 lb (2.49 kg)
Fitting Thread	G 1/4 BSPP
Max Pressure Tolerance @ 25° C	2kgf/cm2 (28.5psi)
Max Temperature Tolerance	60° C (140° F)
Noise (dBA)	34-44
Cooling Systems	
Cooling Capacity	400W (1365BTU/hr) @ 25° C liquid-ambient (25° C dT)
Display Type	LED
Max Flow Rate (10-13mm ID)	6.5LPM (1.7GPM)
Max Power Consumption	18W
Max Static Pressure (10-13mm ID)	0.46kgf/cm2 (6.5psi)
Power Source	12 VDC (110/220 VAC with Separate Adapter)
Radiator	Brass/Copper, 1 x 120mm fan
Temperature Sensors	10K Thermistors

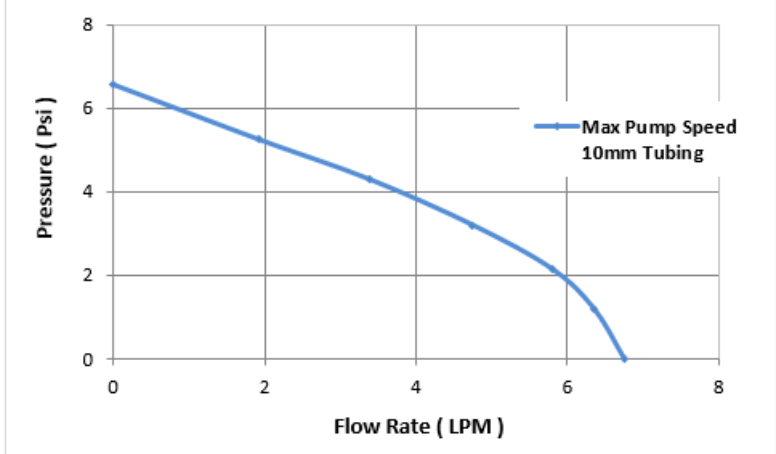
EXT-440
($\Delta T = \text{Inlet Water} - \text{Ambient} = 25^\circ\text{C}$)

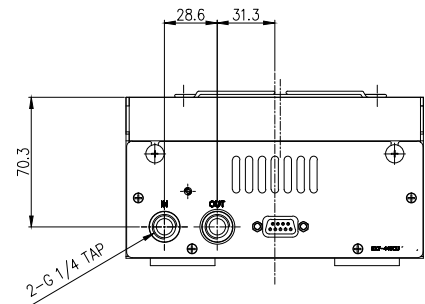
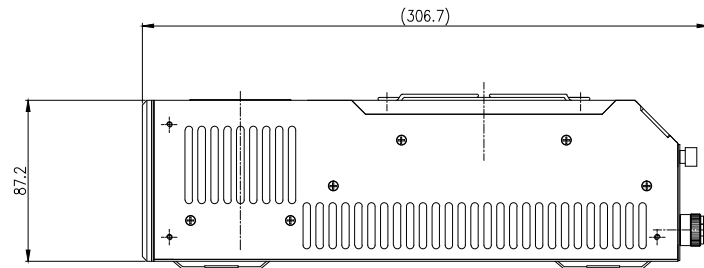
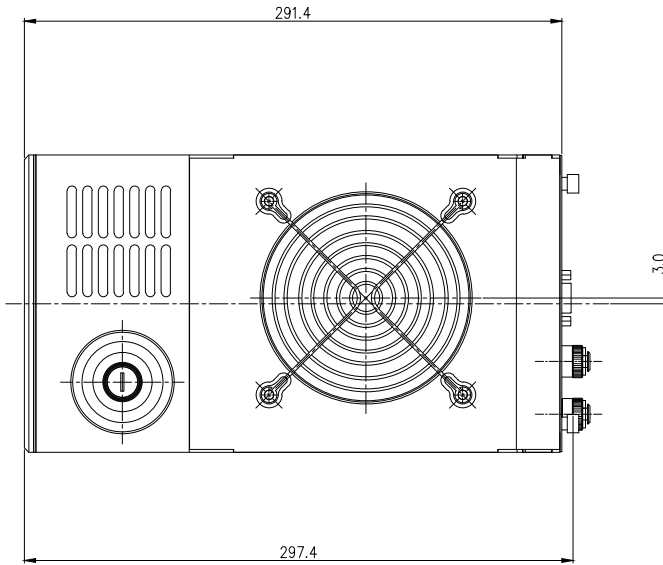
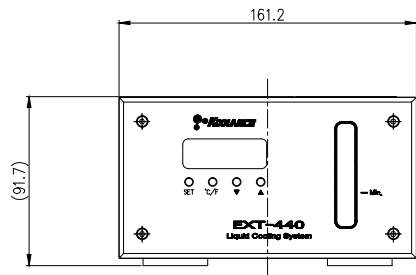


EXT-440
($\Delta T = \text{Inlet Water} - \text{Ambient}$)



EXT-440CU Pump Output





NO.	DESCRIPTION	MATER'L		QUANTITY	REMARKS
	KOOLANCE	UNIT	MM	ITEM	EXT-440CU REV2.0
		SCALE	N/S	TITLE	Ass'y
DATE	BY	BY	APPRO BY	3RD ANGLE	
JAN.04.2019	S.J.LEE			CODE NO.	DWG. NO.
					PAGE