



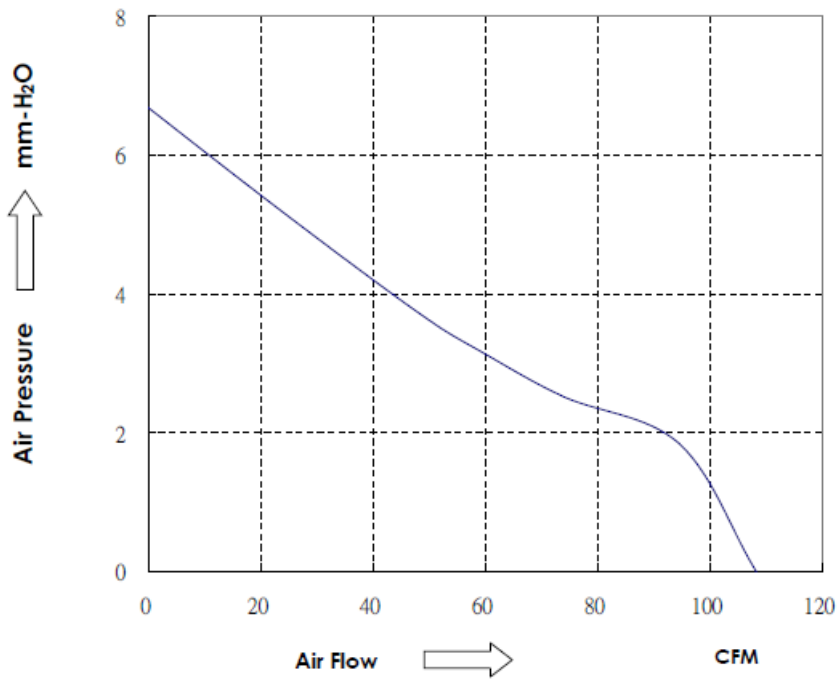
Koolance high quality, dual ball-bearing fan.

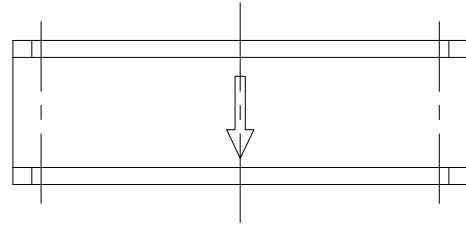
- Dimensions: 120x120x38mm
- Type: Dual Ball-Bearing
- Connector: 3-pin (3-wire with tachometer)
- Rated Voltage: 12VDC
- Current: 0.75A
- Speed: 2600RPM (max)
- Static Pressure: 6.3mm-H2O
- Airflow: 116.1CFM (max)
- Noise: 39.00dBA (max)
- 50k hours MTBF

General	
Weight	0.70 lb (0.32 kg)
Noise (dBA)	39.00
Fans	
Airflow (CFM)	116.1
Current (A)	0.75
Size (mm)	120 x 120 x 38
Speed (RPM)	2600
Static Pressure (mm-H2O)	6.3
Tachometer	yes
Type	Dual Ball Bearing
Voltage	12 VDC

PQ Curve:

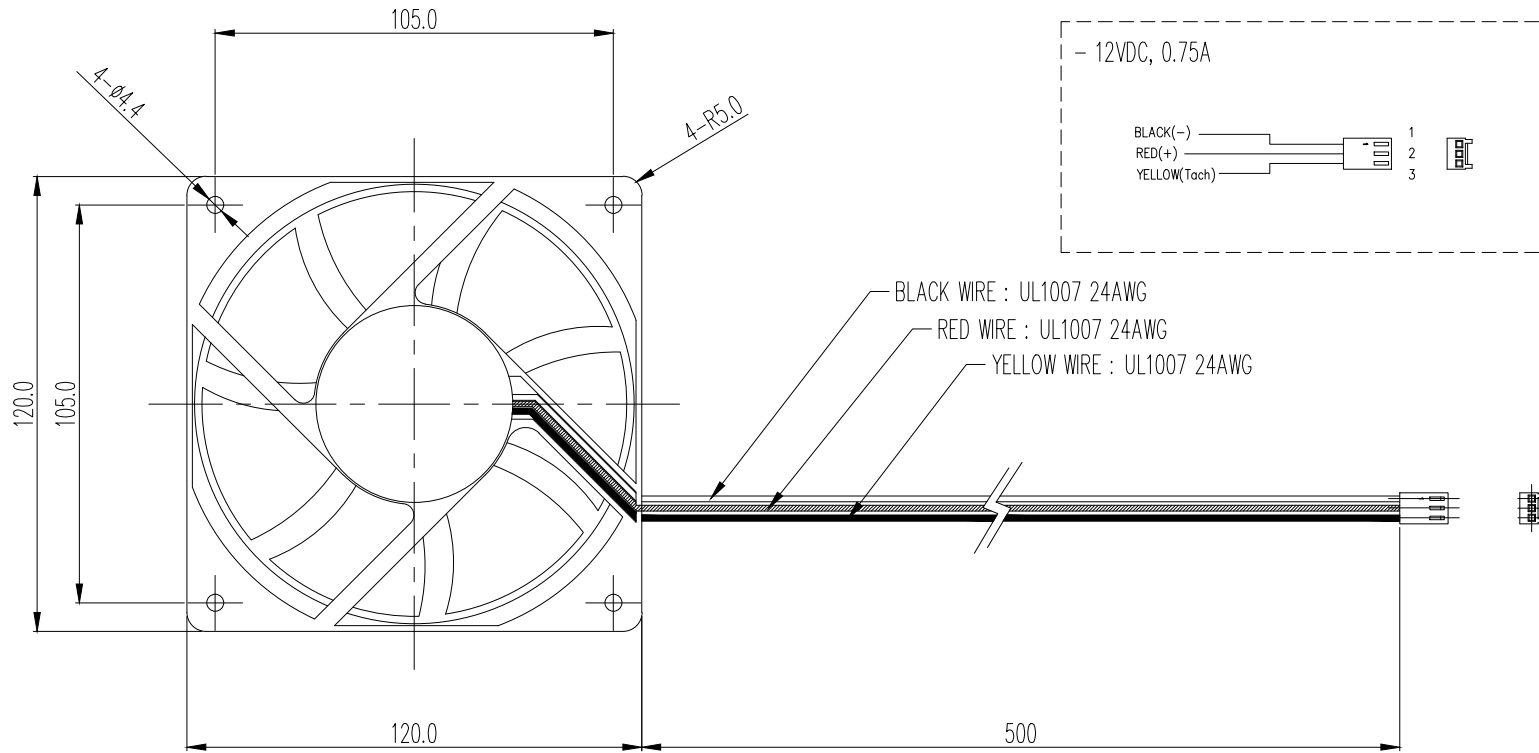
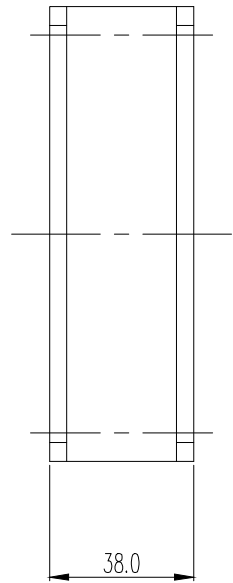
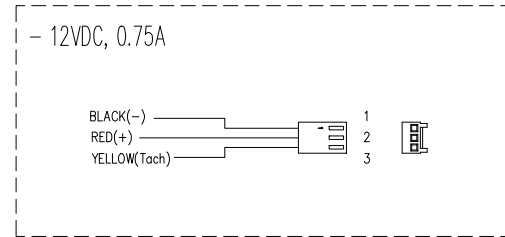
FAN-12038HBK





< CONNECTOR >

- Housing : Molex 5051-03 (or Equivalent)
- Terminal : Molex 5159 (or Equivalent)



REV	DATE	CONTENTS	REVD BY	CHKD BY	APPD BY

NO.	DESCRIPTION	PART NO.	QTY.	REMARKS
		UNIT	MM	ITEM Fan
DRAWN BY:      BY:      BY:      APPRO BY:		SCALE	N/S	TITLE
DATE		3RD ANGLE		120x38mm, High
AUG.09.2021	S.J.LEE		J.S.PARK	KK CODE NO.
				DRAWING NO.
				REV