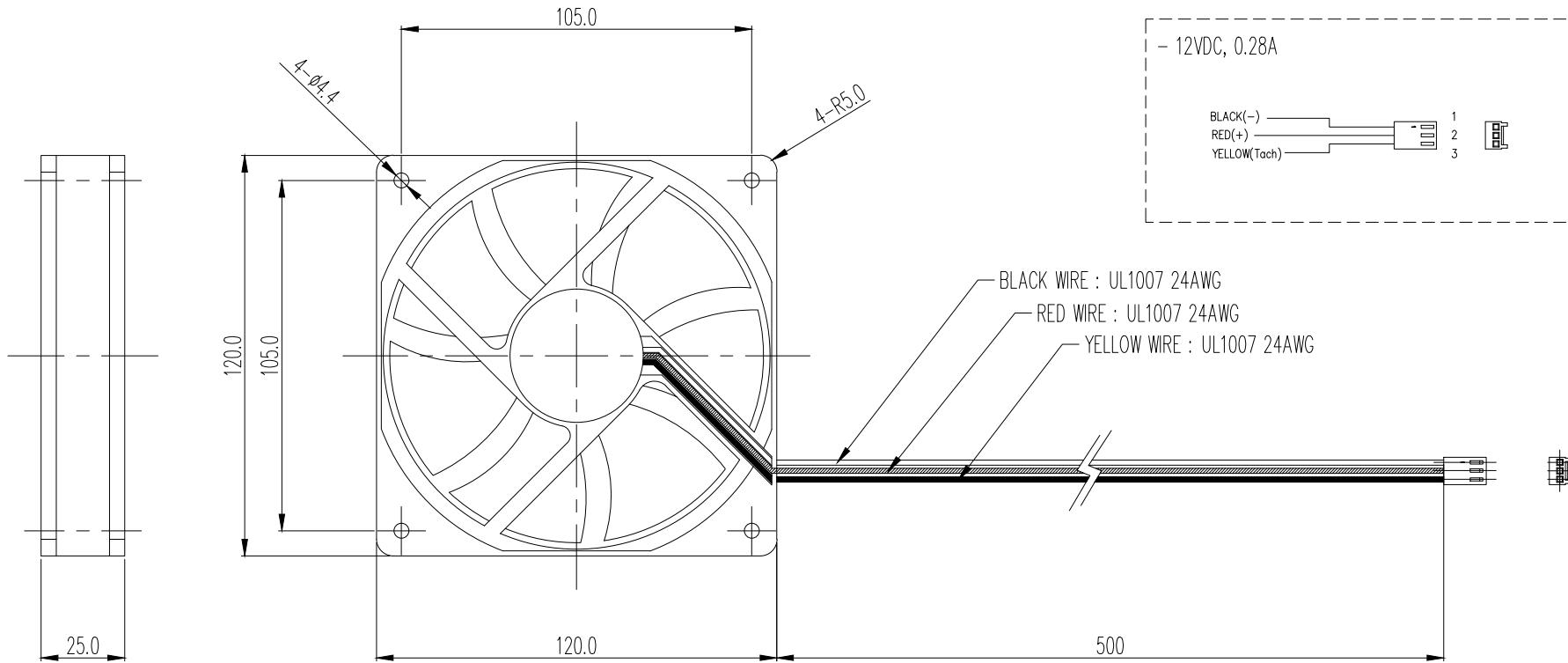
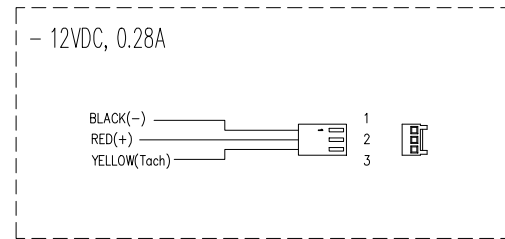


< CONNECTOR >

- Housing : Molex 5051-03 (or Equivalent)
- Terminal : Molex 5159 (or Equivalent)



REV	DATE	CONTENTS	REVD BY	CHKD BY	APPD BY

REVISION

NO.	DESCRIPTION	PART NO.	QTY.	REMARKS
		UNIT	MM	ITEM Fan
		SCALE	N/S	TITLE 120x25mm, High
DATE			3RD ANGLE	
AUG.10.2021	S.J.LEE	J.S.PARK	KK CODE NO. FAN-12025HBK	DRAWING NO. - REV -