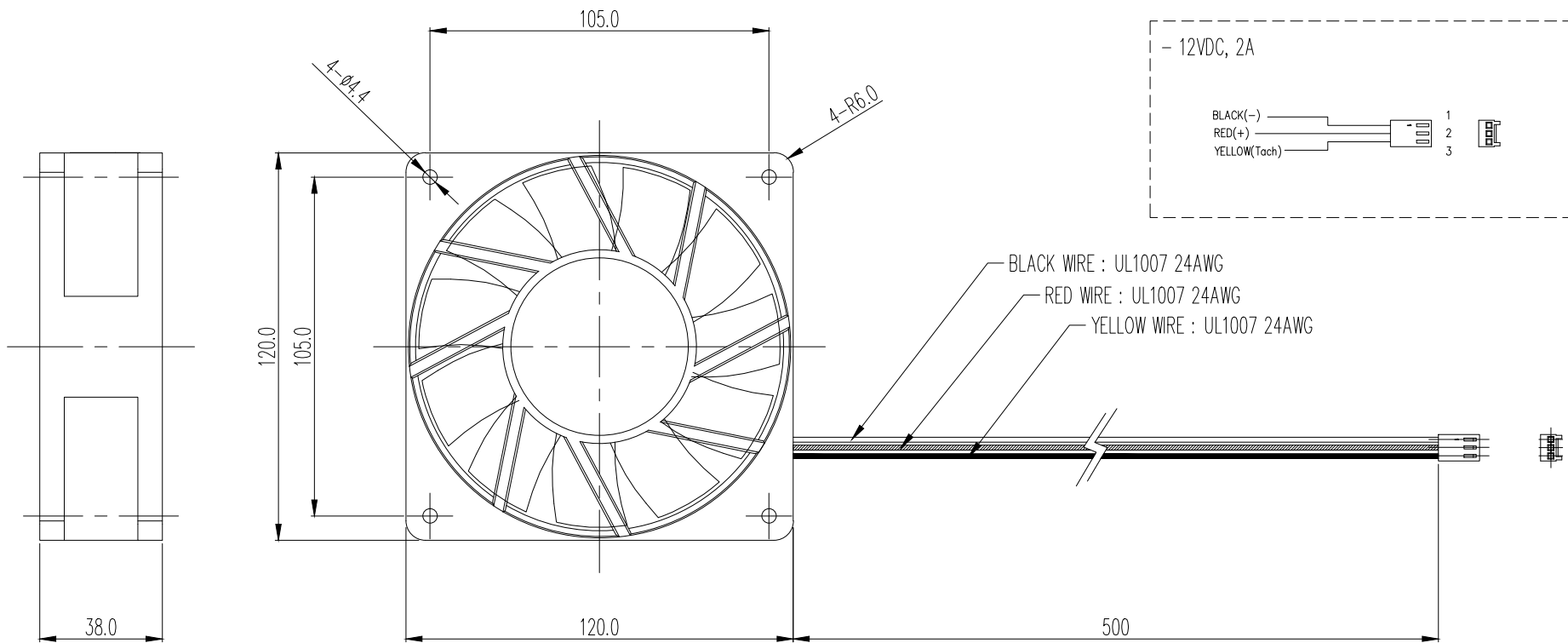
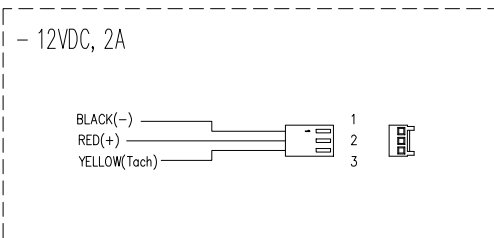


< CONNECTOR >
 - Housing : Molex 5051-03 (or Equivalent)
 - Terminal : Molex 5159 (or Equivalent)



REV	DATE	CONTENTS	REVD BY	CHKD BY	APPD BY
REVISION					

NO.	DESCRIPTION				PART NO.	QTY.	REMARKS
				UNIT	MM	ITEM	Fan
	DRAWN		BY	BY	APPRO		
	BY				BY	SCALE	N/S
DATE						3RD ANGLE	TITLE
MAR.25.2021	S.J.LEE				J.S.PARK		120x38mm, 184CFM
						KK CODE NO.	DRAWING NO.
						FAN-12038HBK-184	-
							REV
							-