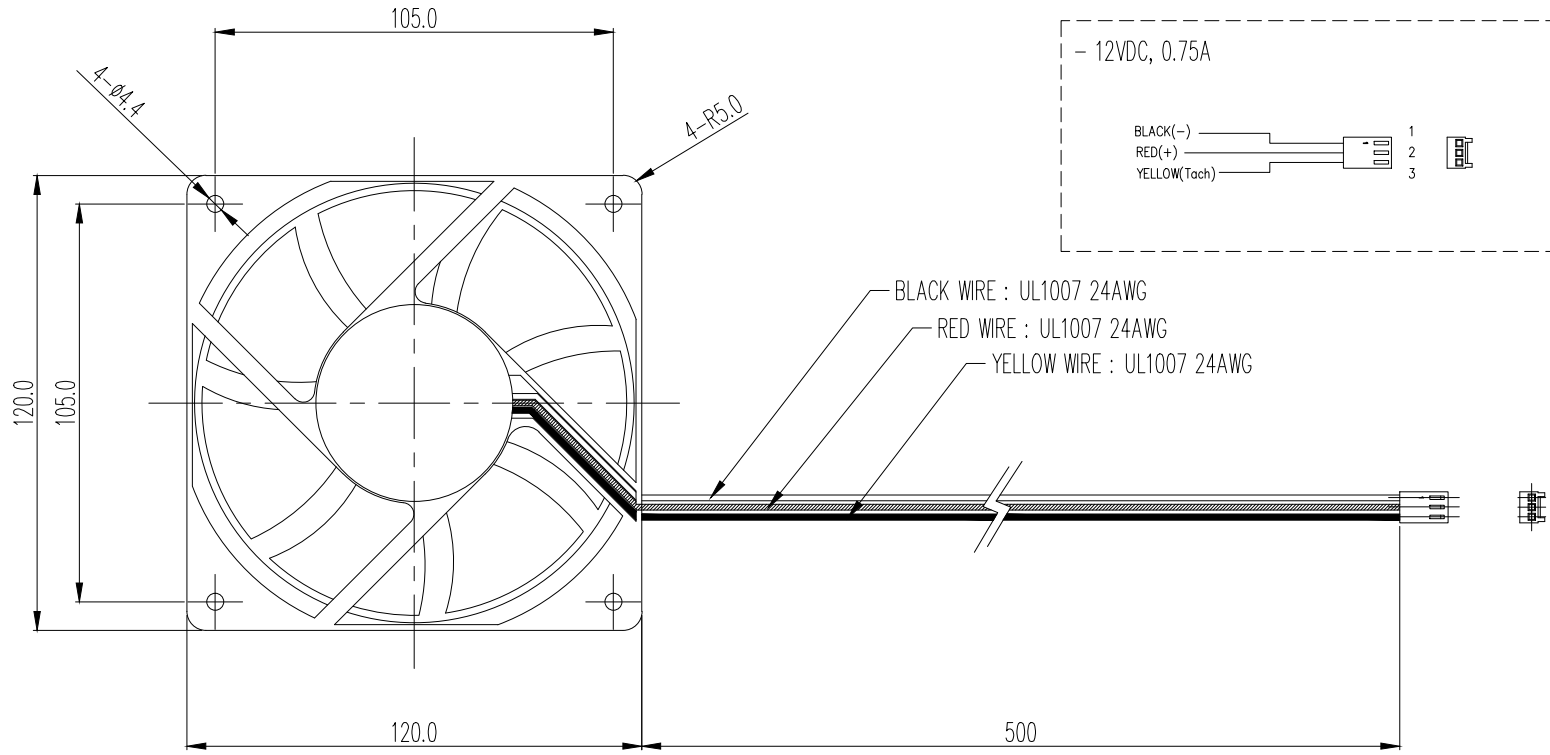
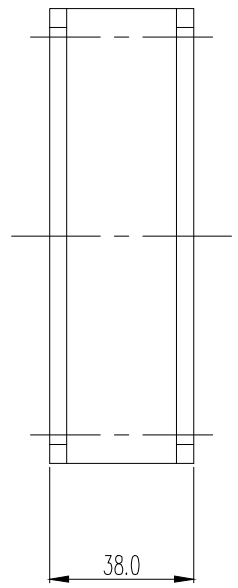
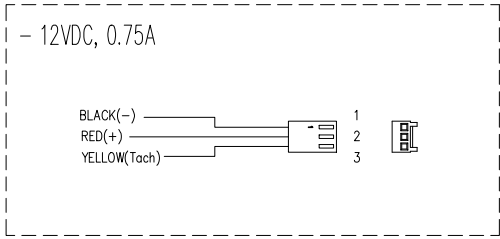


< CONNECTOR >
- Housing : Molex 5051-03 (or Equivalent)
- Terminal : Molex 5159 (or Equivalent)



REV	DATE	CONTENTS	REVD BY	CHKD BY	APPD BY
REVISION					

NO.	DESCRIPTION	PART NO.	QTY.	REMARKS
		UNIT	MM	ITEM Fan
		SCALE	N/S	TITLE
				120x38mm, High
DATE			3RD ANGLE	
AUG.09.2021	S.J.LEE		J.S.PARK	
		KK CODE NO.	DRAWING NO.	REV
		FAN-12038HBK	-	-