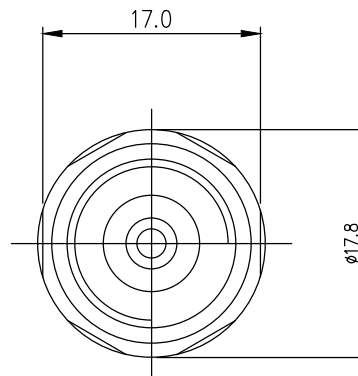
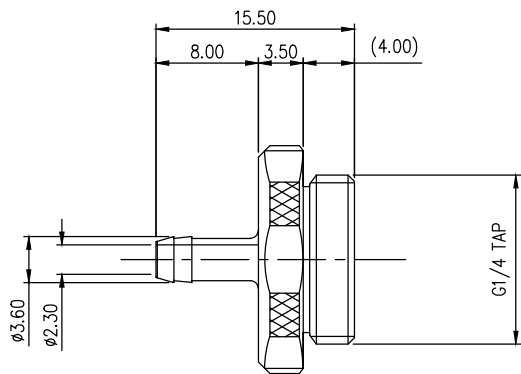


File



| △ | | | |
|----------|------|----------|---------|
| REV | DATE | CONTENTS | APPD BY |
| REVISION | | | |

| NO. | DESCRIPTION | | | | MATER'L | QUANTITY | REMARKS |
|-----|-------------|---------|----|----|----------|-----------------------------|------------------|
| | | | | | UNIT | MM | PART NO. FIT-V03 |
| | | | | | SCALE | N/S | TITLE |
| | | BY | BY | BY | APPRD BY | G 1/4, 3mm (1/8") ID tubing | |
| | DATE | | | | | 3RD ANGLE | |
| | 2017.03.29 | ys.shin | | | | DWG. NO. | ITEM |