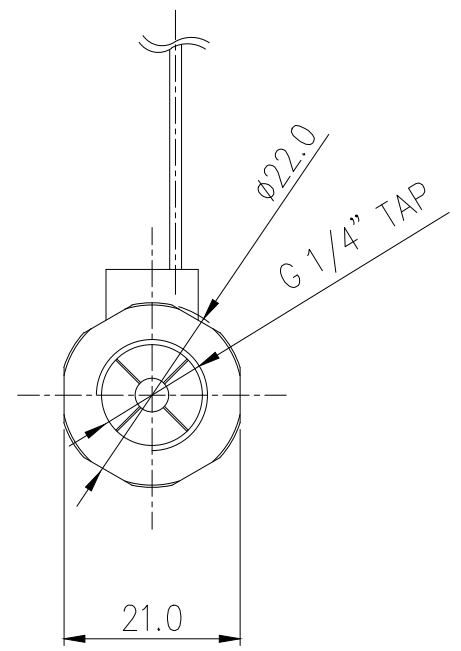
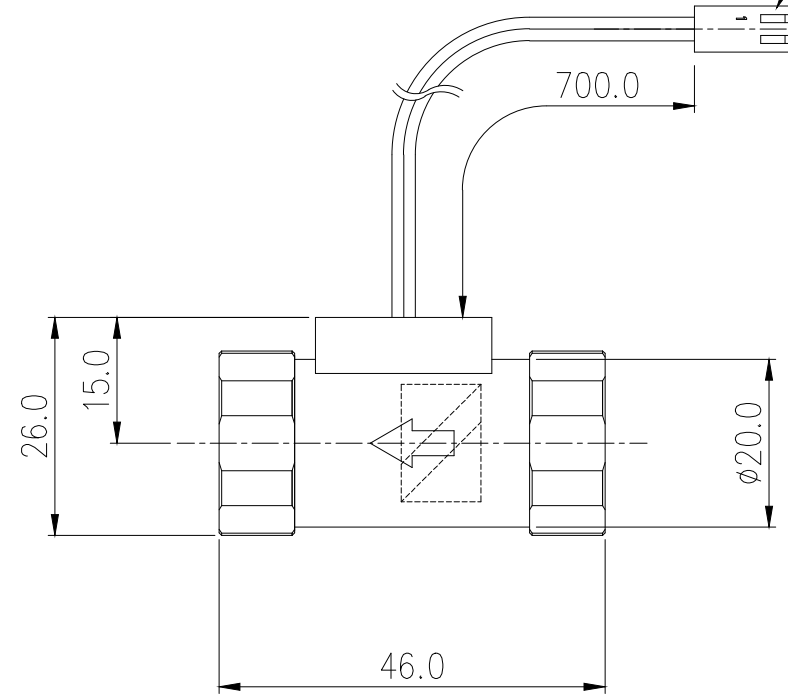
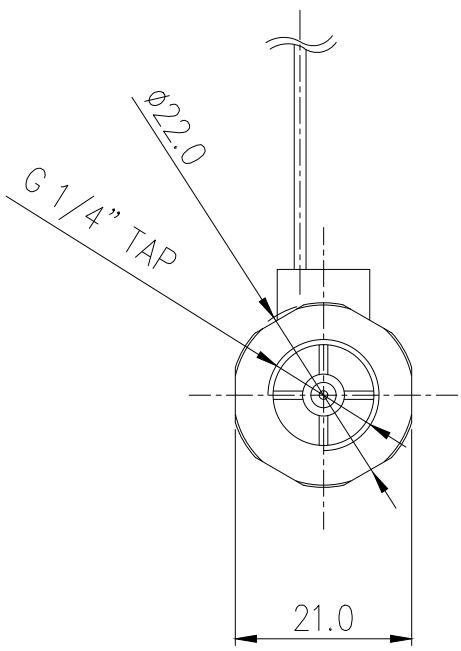


- Housing : Molex 5051-02 (or Equivalent)
- Terminal : Molex 5159 (or Equivalent)



NO.	DESCRIPTION				MATER'L	QUANTITY	REMARKS
	<b>KOOLANCE</b>				UNIT	MM	APPAR INS-FM14
					SCALE	N/S	TITLE
DATE	BY	BY	BY	APPRO BY	3RD ANGLE		Ass'y
JAN.20.2025	S.J.LEE				CODE NO.	DWG. NO.	