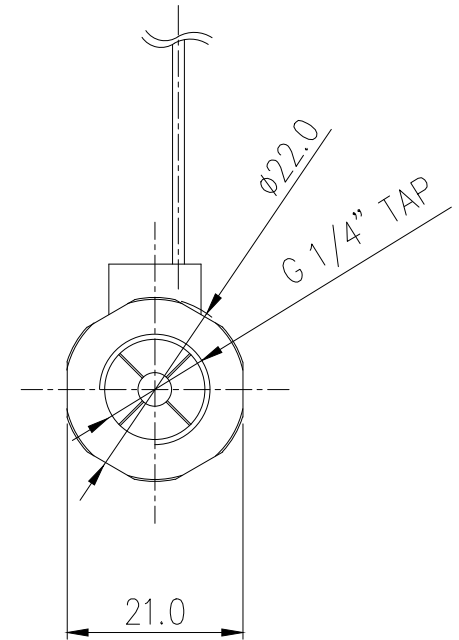
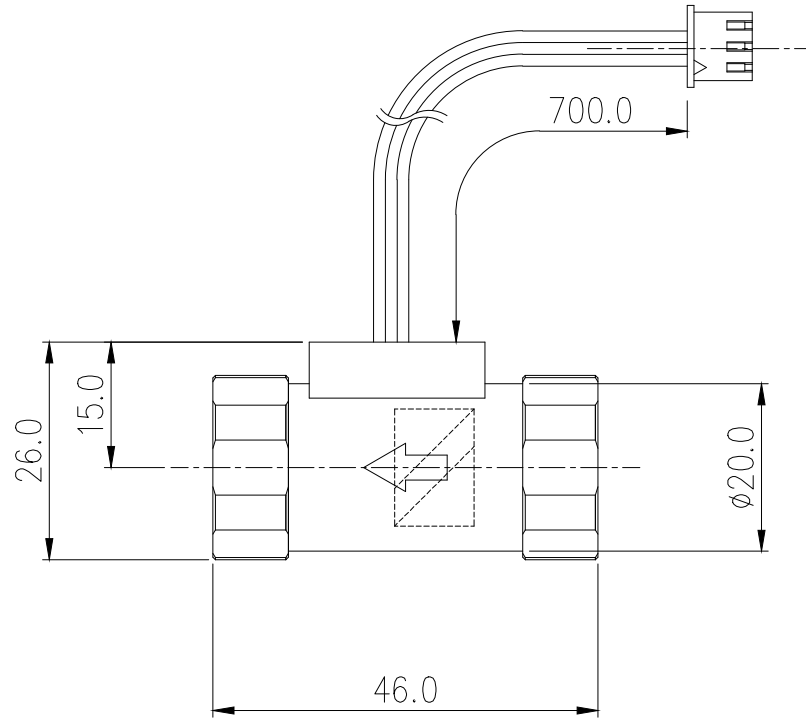
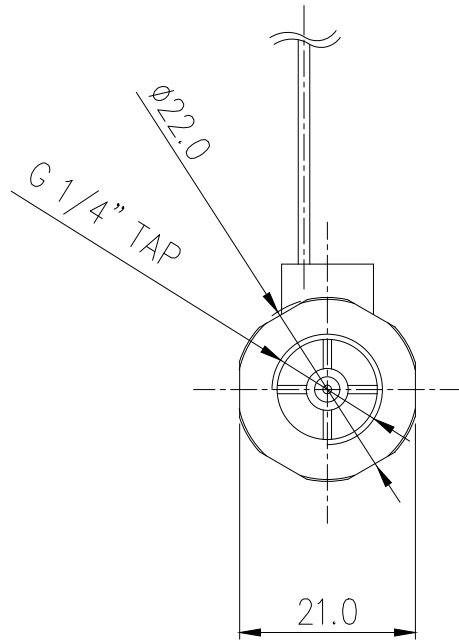
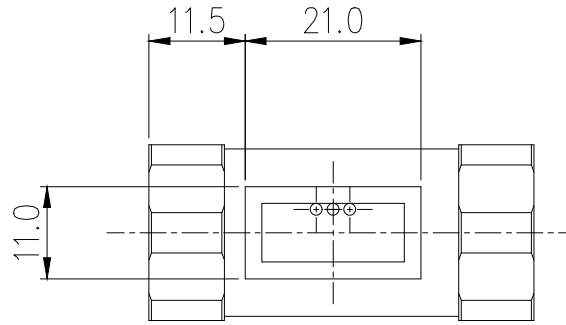
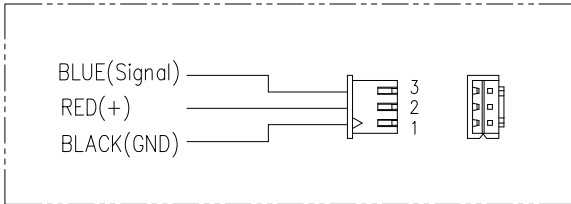


< 3pin CONNECTOR >

- Housing : JST XHP-3 (or Equivalent)
- Terminal : JST SXH-001T-P0.6 (or Equivalent)



NO.	DESCRIPTION				MATER'L		QUANTITY	REMARKS
					UNIT	MM	APPAR	INS-FM17H
					SCALE	N/S	TITLE	
DATE	BY	BY	BY	APPRO BY	3RD ANGLE			
JUL.28.2023	S.J.LEE				CODE NO.	DWG. NO.		