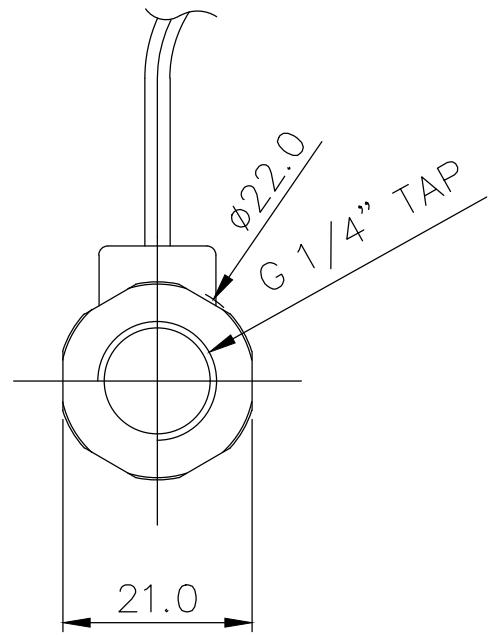
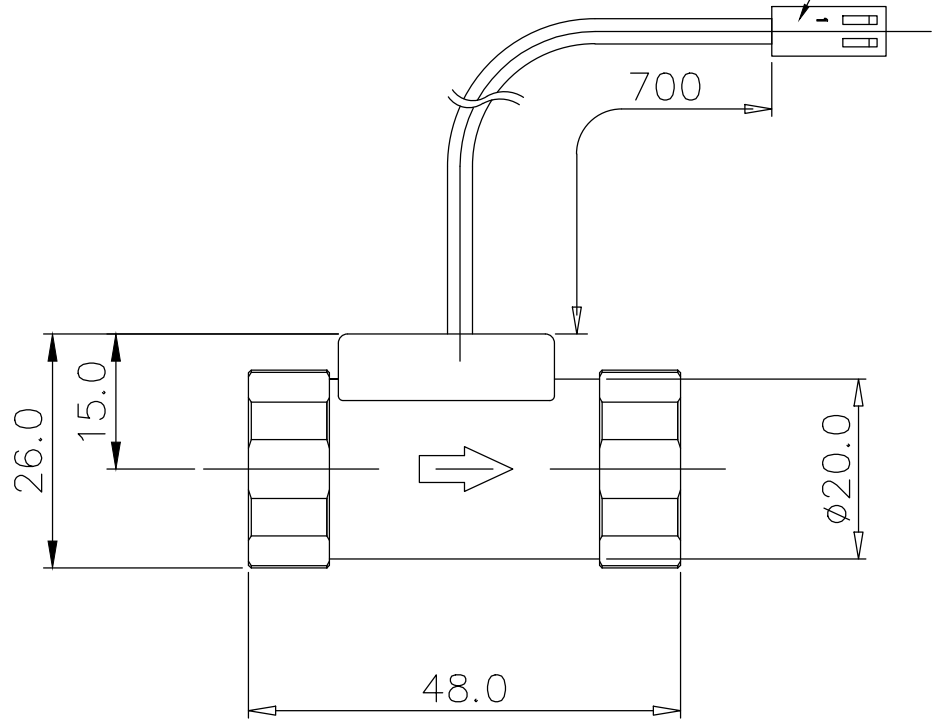
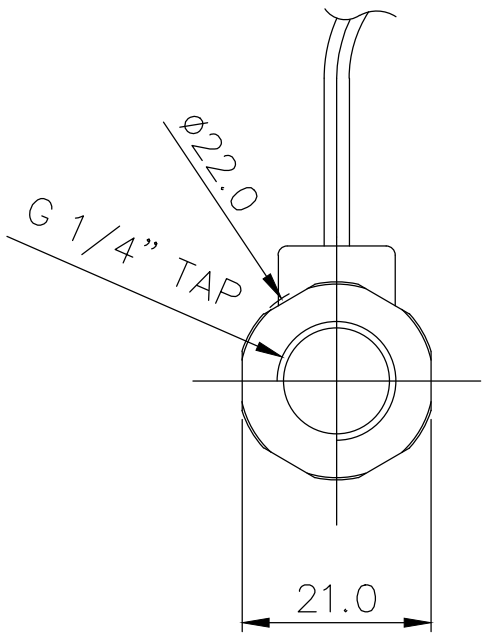


MOLEX P/N : 22-01-1022 or Equivalent



NO.	DESCRIPTION	MATER'L	QUANTITY	REMARKS
	KOOLANCE	UNIT	MM	APPAR INS-FS02
		SCALE	N/S	TITLE
DATE	BY	BY	APPRO BY	Ass'y
09/17/2020	YS.Shin			
			CODE NO.	DWG. NO.