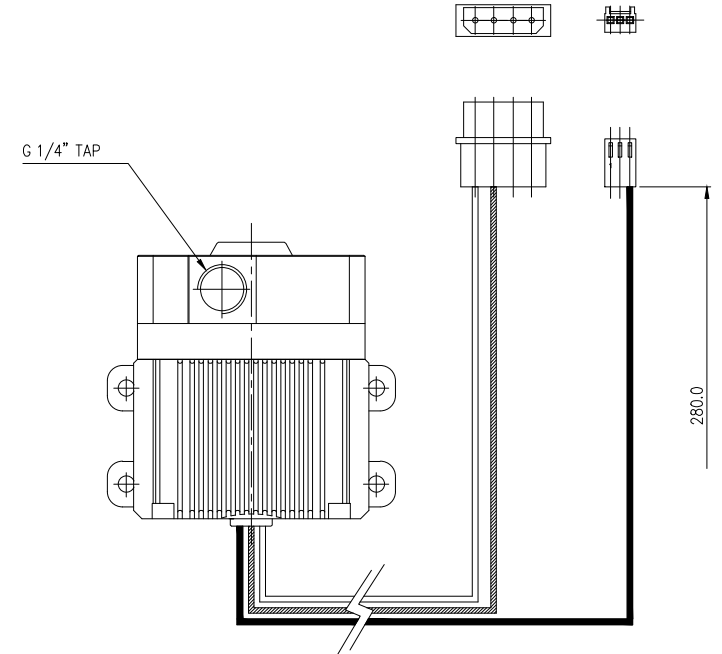
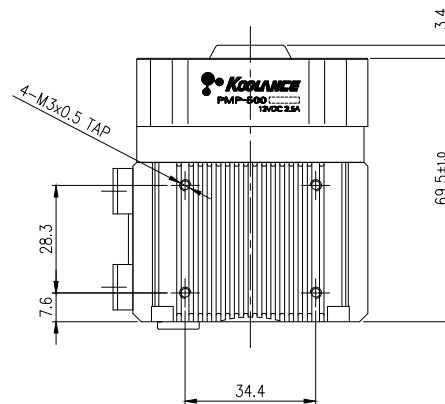
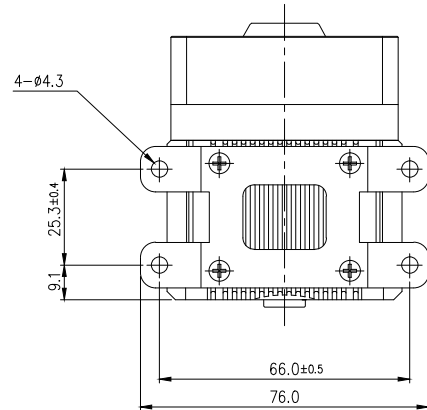
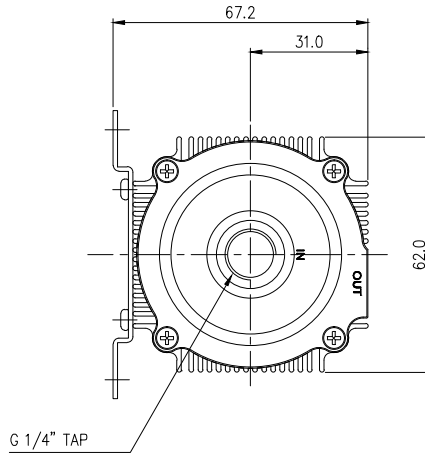
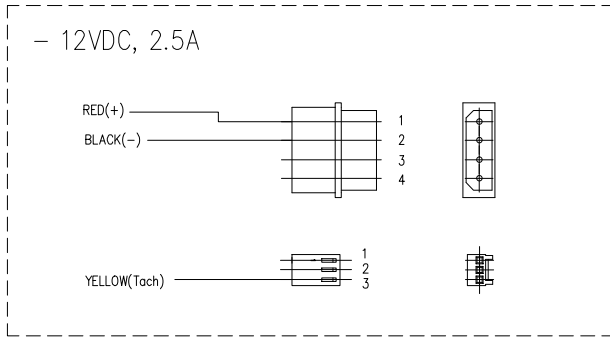


< 4 pin CONNECTOR >

- Housing : ALEX 6060-04 (or Equivalent)
- Terminal : ALEX 62T (or Equivalent)

< 3pin CONNECTOR >

- Housing : Molex 5051-03 (or Equivalent)
- Terminal : Molex 5159 (or Equivalent)



| REV | DATE        | CONTENTS          | REV'D BY | CHKD BY | APP'D BY |
|-----|-------------|-------------------|----------|---------|----------|
|     |             |                   |          |         |          |
|     |             |                   |          |         |          |
|     |             |                   |          |         |          |
| ▲   | MAY.18.2021 | CHANGED VDC SPEC. | S.J.LEE  |         | J.S.PARK |

REVISION

| NO.         | DESCRIPTION |    |          |           | PART NO. |             | QTY.        | REMARKS |
|-------------|-------------|----|----------|-----------|----------|-------------|-------------|---------|
|             |             |    |          |           |          | UNIT        | MM          | ITEM    |
| SCALE       |             |    |          |           |          | N/S         | TITLE       | Assy    |
| DATE        | DRAWN BY    | BY | APPRO BY | 3RD ANGLE |          | KK CODE NO. | DRAWING NO. | REV     |
| MAR.25.2021 | S.J.LEE     |    | J.S.PARK |           |          | PMP-500     | -           | -       |