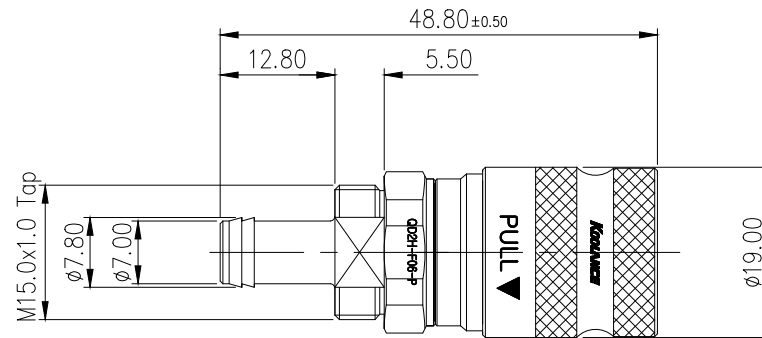
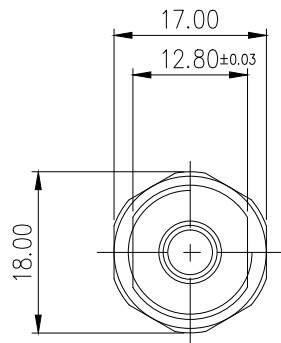


NUT DIMENSION



REV	DATE	CONTENTS	APPD BY

NO.	DESCRIPTION	MATER'L	QUANTITY	REMARKS
		UNIT	MM	PART NO. QD2H-F06-P
		SCALE	N/S	TITLE
		DATE	3RD ANGLE	DIMENSION
		BY	DWG. NO.	ITEM
				QD2H

