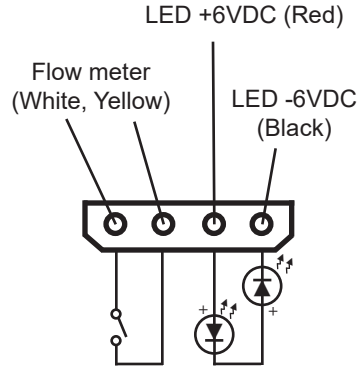


Note: Residual air pockets in the flow meter will not result in an accurate reading.

The flow meters should not be directly connected to high power outputs like 12VDC fan headers or similar controllers. The intended current range is 10mA or less. A signal graph is provided further below.

**Note:** If the frequency pulse signal appears erratic, it is recommended to bridge the flow meter leads with a 47nF (473) smoothing capacitor.



### Specifications

Flow Rate Range: 0.5 to 15 LPM (0.13 to 4 GPM)

Fluid Temperature Range: -10 to 80 °C (14 to 176 °F)

### Connector

	Type	Mfr.	Series	Part No.
PCB	Right Angle	Molex	5268	22057045
	Vertical	Molex	5267	22035045
Wire	Housing	Molex	5264	50375043
	Pin Terminal	Molex	5263	08701040

