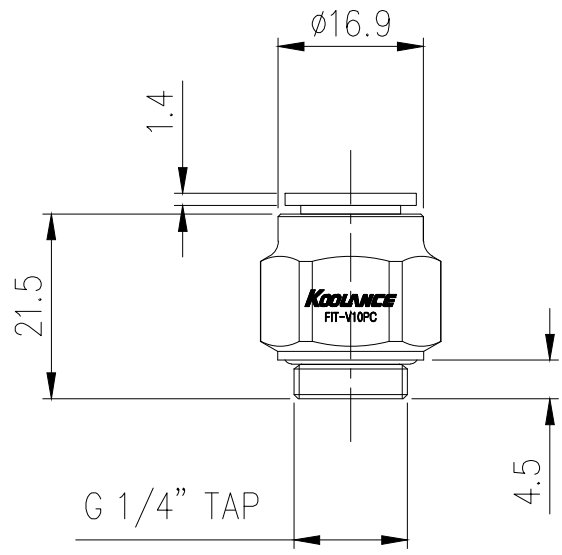
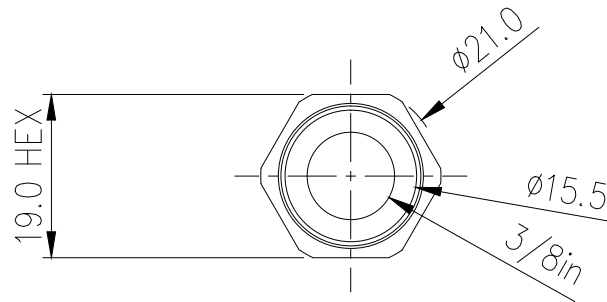


**Push-to-Connect Fitting for 3/8in (9.5mm) OD,  
G 1/4 BSPP**



Koolance push-to-connect tube fitting for 3/8in (9.5mm) OD dense plastic tubing, G 1/4 BSPP thread. (Not for use with softer plastic materials, such as Koolance's PVC or PU tubing.) A toothed collet and dual o-rings secure tubing when inserted. To release tubing for removal, depress the outer ring.

General	
Weight	0.06 lb (0.03 kg)
Fitting Thread	G 1/4 BSPP
Max Pressure Tolerance @ 25 °C	8kgf/cm <sup>2</sup> (113.8psi)
Max Temperature Tolerance	80 °C (176 °F)
Min Storage Temperature (*No Freezing)	-30°C (-22°F)
Wetted Materials	Brass, Nickel Plating, EPDM



NO.	DESCRIPTION	MATER'L		QUANTITY	REMARKS
		UNIT	MM	APPAR	FIT-V10PC
		SCALE	N/S	TITLE	
DATE	BY	BY	BY	APPRO	BY
AUG.03.2022	S.J.LEE				
				3RD ANGLE	
				CODE NO.	DWG. NO.