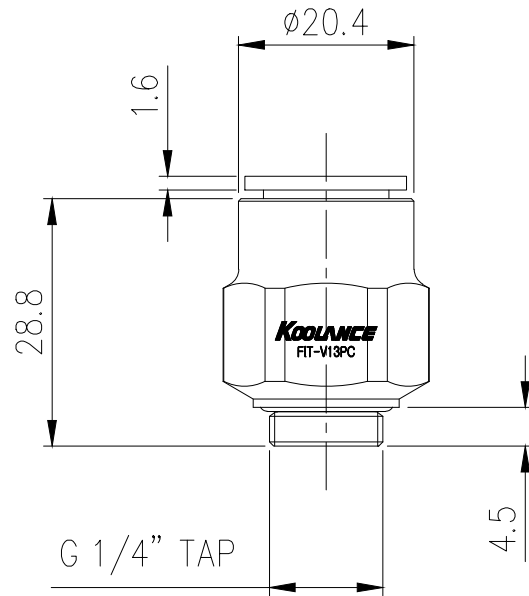
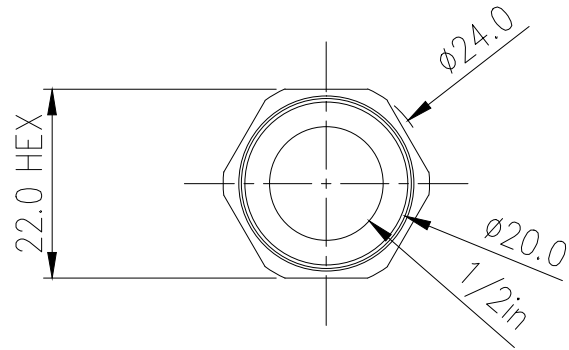


Push-to-Connect Fitting for 1/2in (12.7mm) OD,
G 1/4 BSPP



Koolance push-to-connect tube fitting for 1/2in (12.7mm) OD dense plastic tubing, G 1/4 BSPP thread. (Not for use with softer plastic materials, such as Koolance's PVC or PU tubing.) A toothed collet and dual o-rings secure tubing when inserted. To release tubing for removal, depress the outer ring.

General	
Weight	0.11 lb (0.05 kg)
Fitting Thread	G 1/4 BSPP
Max Pressure Tolerance @ 25 °C	8kgf/cm ² (113.8psi)
Max Temperature Tolerance	80 °C (176 °F)
Min Storage Temperature (*No Freezing)	-30°C (-22°F)
Wetted Materials	Brass, Nickel Plating, EPDM



NO.	DESCRIPTION	MATER'L		QUANTITY	REMARKS
	KOOLANCE	UNIT	MM	APPAR	FIT-V13PC
		SCALE	N/S	TITLE	
DATE	BY	BY	BY	APPRO BY	Ass'y
AUG.03.2022	S.J.LEE				
					3RD ANGLE
					CODE NO.
					DWG. NO.