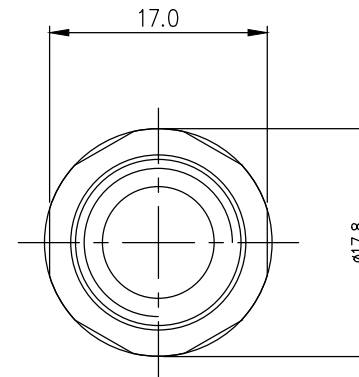
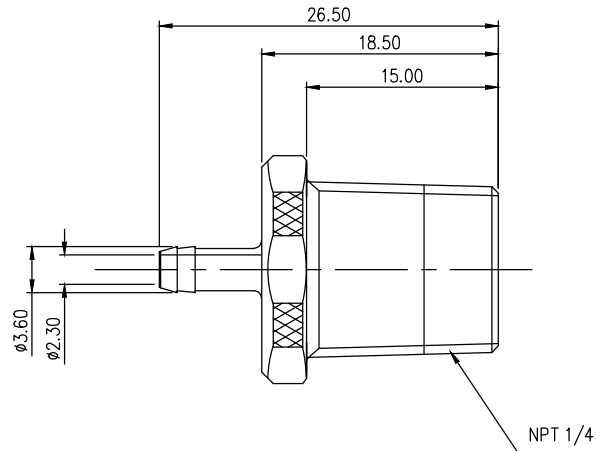




Single hose barb fitting for 1/8in (3mm) ID tubing. 1/4 NPT (tapered) thread. Includes hose clamp for 5mm (3/16in) OD tubing.

General	
Weight	0.03 lb (0.01 kg)
Max Pressure Tolerance @ 25 °C	15kgf/cm2 (213.4psi)
Max Temperature Tolerance	120 °C (248 °F)
Wetted Materials	Nickel-Plated Brass, Stainless Steel, EPDM



REV	DATE	CONTENTS	APPD BY
REVISION			

NO.	DESCRIPTION			MATER'L		QUANTITY	REMARKS
				UNIT	MM	PART NO.	
				SCALE	N/S	TITLE	
	DATE	BY	BY	BY	APPRD BY	3RD ANGLE	NPT 1/4, 3mm (1/8") ID tubing
						DWG. NO.	ITEM
2017.03.29	ys.shin						