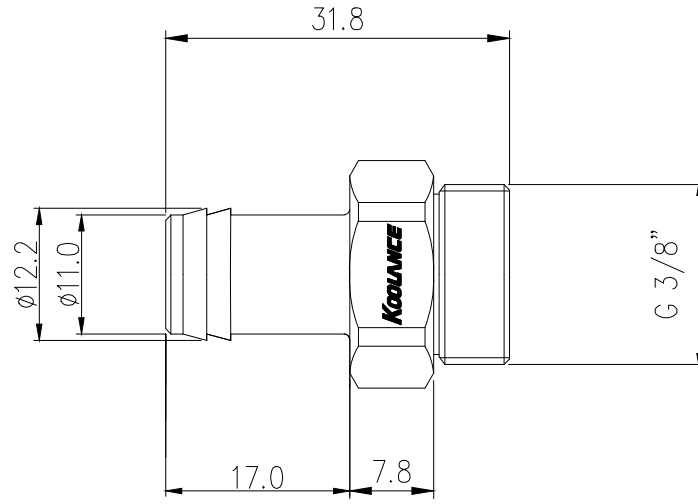
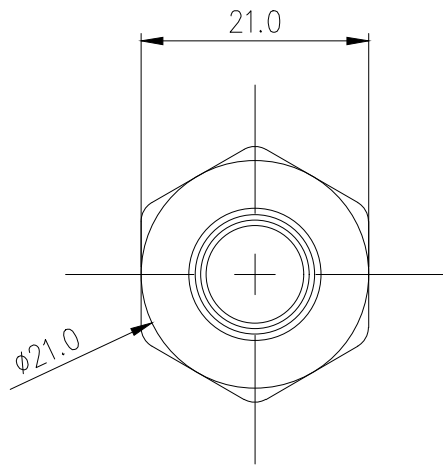




Single barb fitting for 3/8in (10mm) ID tubing. G 3/8 BSPP (parallel) thread. Spring clamp for 1/2in (13mm) OD included.

General	
Weight	0.13 lb (0.06 kg)
Max Pressure Tolerance @ 25° C	15kgf/cm2 (213.4psi)
Max Temperature Tolerance	120° C (248° F)
Wetted Materials	Brass, Nickel Plating, EPDM



NO.	DESCRIPTION				MATER'L		QUANTITY	REMARKS
	<b>KOOLANCE</b>				UNIT	MM	ITEM	FIT-V10C38
					SCALE	N/S	TITLE	Ass'y
DATE	BY	BY	BY	APPROD BY	DECIMAL PLACES	DWG. NO.	PAGE	
	SK.AN				0 : ±0.3 0.X : ±0.1 0.XX : ±0.05			
					CODE NO.			