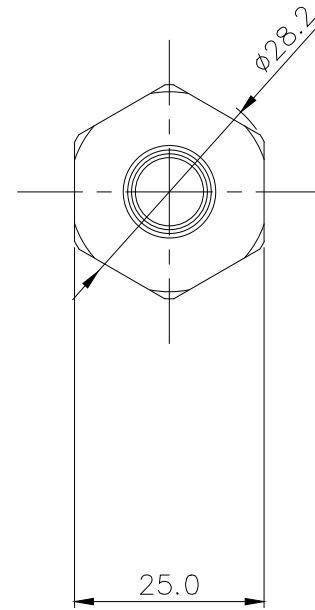
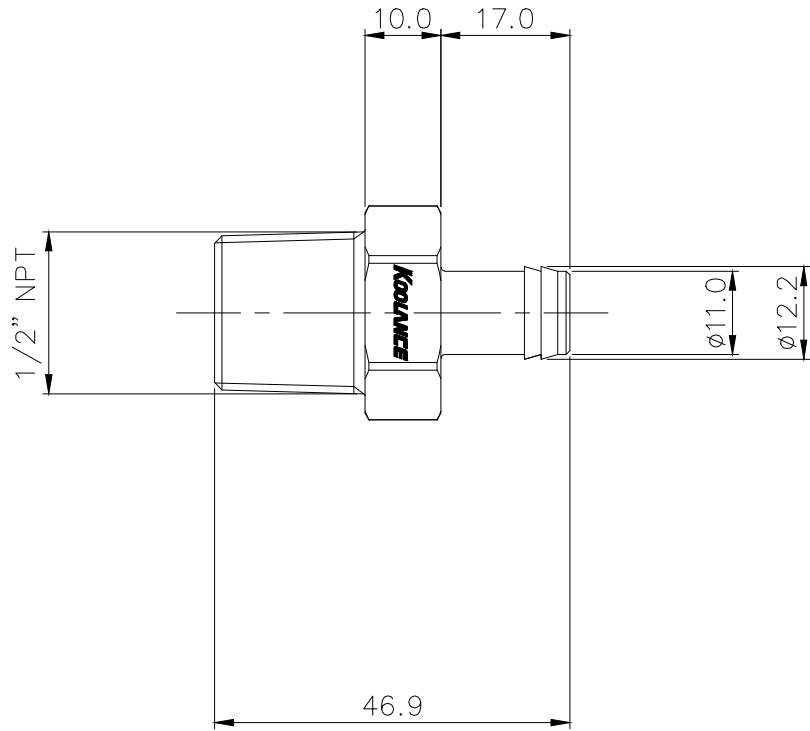




Single barb fitting for 3/8in (10mm) ID tubing. 1/2 NPT (tapered) thread. Spring clamp for 1/2in (13mm) OD included.

General	
Weight	0.20 lb (0.09 kg)
Max Pressure Tolerance @ 25° C	15kgf/cm2 (213.4psi)
Max Temperature Tolerance	120° C (248° F)
Wetted Materials	Brass, Nickel Plating, EPDM



NO.	DESCRIPTION	MATER'L		QUANTITY	REMARKS
	Koolance	UNIT	MM	ITEM	FIT-V10N12
		SCALE	N/S	TITLE	
DATE	BY	BY	BY	BY	3RD ANGLE
	S.J.LEE				
		CODE NO.		DWG. NO.	PAGE