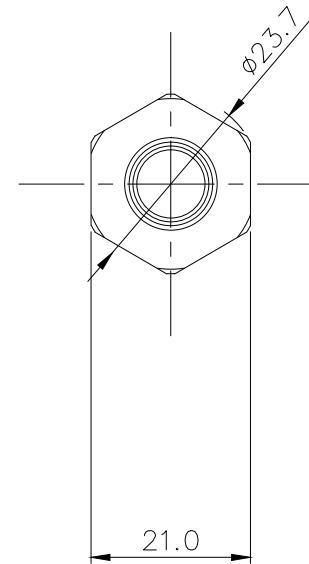
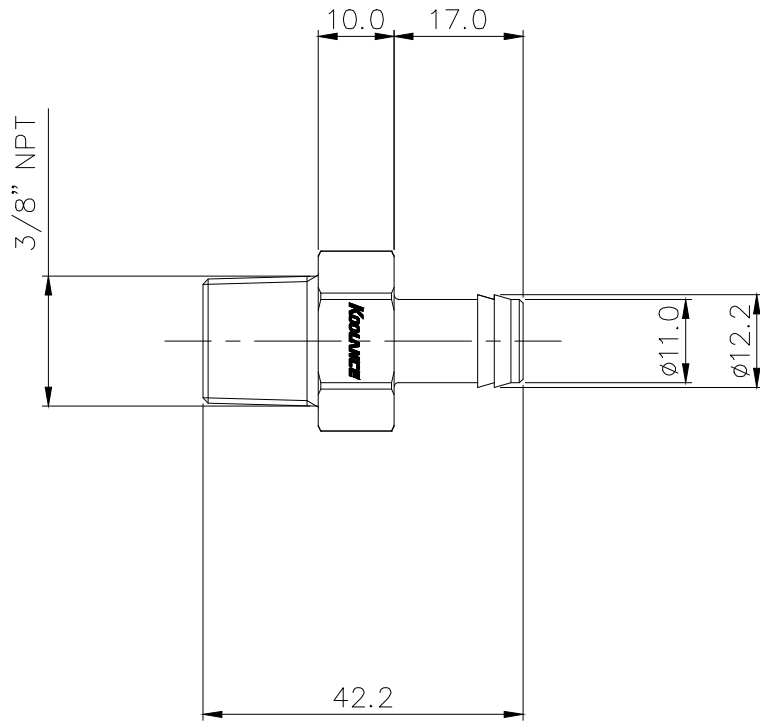




Single barb fitting for 3/8in (10mm) ID tubing. 3/8 NPT (tapered) thread. Spring clamp for 1/2in (13mm) OD included.

General	
Weight	0.14 lb (0.06 kg)
Max Pressure Tolerance @ 25° C	15kgf/cm2 (213.4psi)
Max Temperature Tolerance	120° C (248° F)
Wetted Materials	Brass, Nickel Plating, EPDM



NO.	DESCRIPTION	MATER'L		QUANTITY	REMARKS
	KOOLANCE	UNIT	MM	ITEM	FIT-V10N38
		SCALE	N/S	TITLE	
DATE	BY	BY	BY	APPRO	BY
	S.J.LEE			3RD ANGLE	
		CODE NO.		DWG. NO.	PAGE

Ass'y