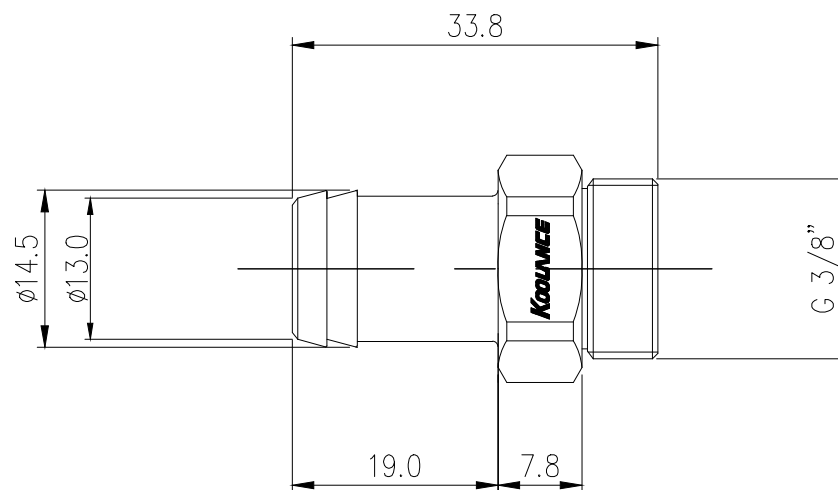
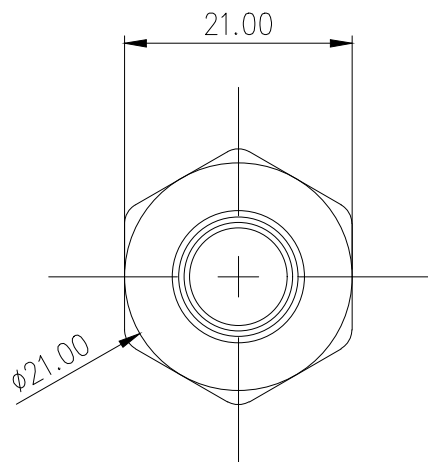




Single barb fitting for 1/2in (13mm) ID tubing. G 3/8 BSPP (parallel) thread. Spring clamp for 5/8in (16mm) OD included.

General	
Weight	0.13 lb (0.06 kg)
Max Pressure Tolerance @ 25° C	15kgf/cm2 (213.4psi)
Max Temperature Tolerance	120° C (248° F)
Wetted Materials	Brass, Nickel Plating, EPDM



NO.	DESCRIPTION				MATER'L		QUANTITY	REMARKS
	KOOLANCE				UNIT	MM	ITEM	FIT-V13G38
					SCALE	N/S	TITLE	Ass'y
DATE	BY	BY	BY	APPROD BY	DECIMAL PLACES	DWG. NO.	PAGE	
	SK.AN				0 : ±0.3 0.X : ±0.1 0.XX : ±0.05			
					CDDE ND.			