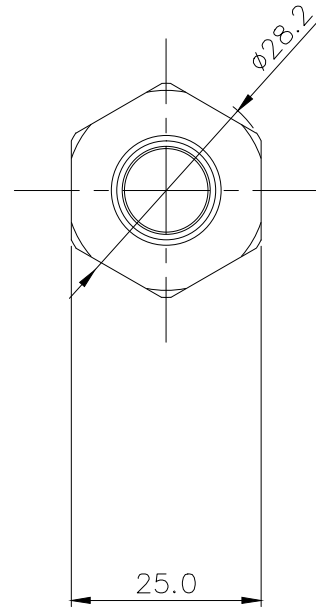
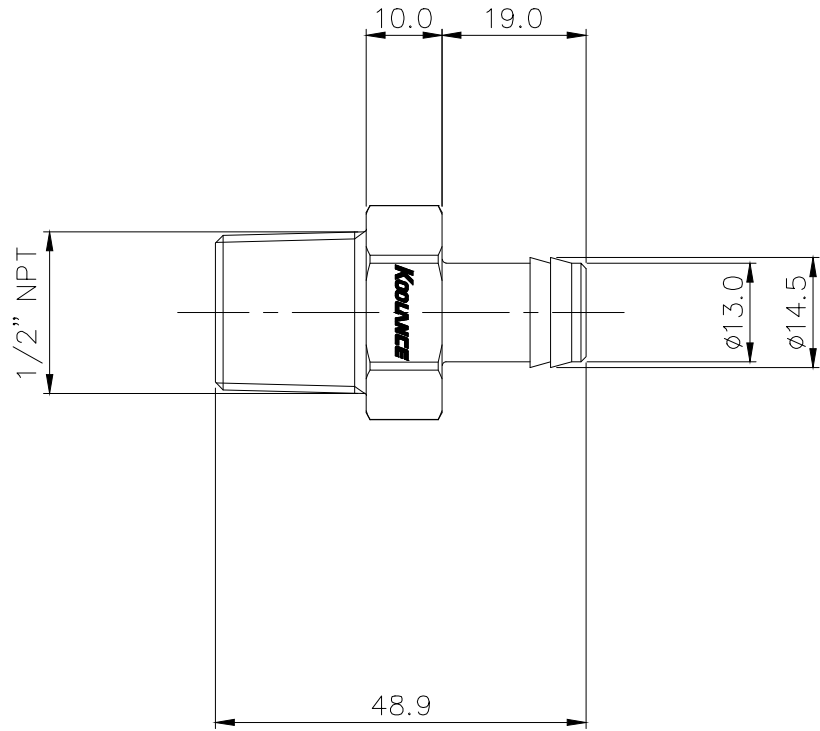




Single barb fitting for 1/2in (13mm) ID tubing. 1/2 NPT (tapered) thread. Spring clamp for 5/8in (16mm) OD included.

General	
Weight	0.19 lb (0.09 kg)
Max Pressure Tolerance @ 25° C	15kgf/cm2 (213.4psi)
Max Temperature Tolerance	120° C (248° F)
Wetted Materials	Brass, Nickel Plating, EPDM



NO.	DESCRIPTION	MATER'L	QUANTITY	REMARKS
	Koolance	UNIT	MM	ITEM FIT-V13N12
		SCALE	N/S	TITLE
DATE	BY	BY	APPRO BY	3RD ANGLE
	S.J.LEE			
			CODE NO.	DWG. NO.
				PAGE

Ass'y