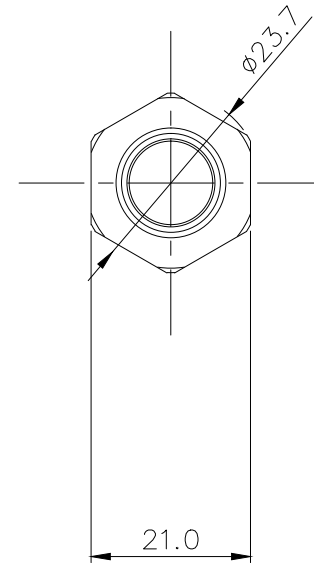
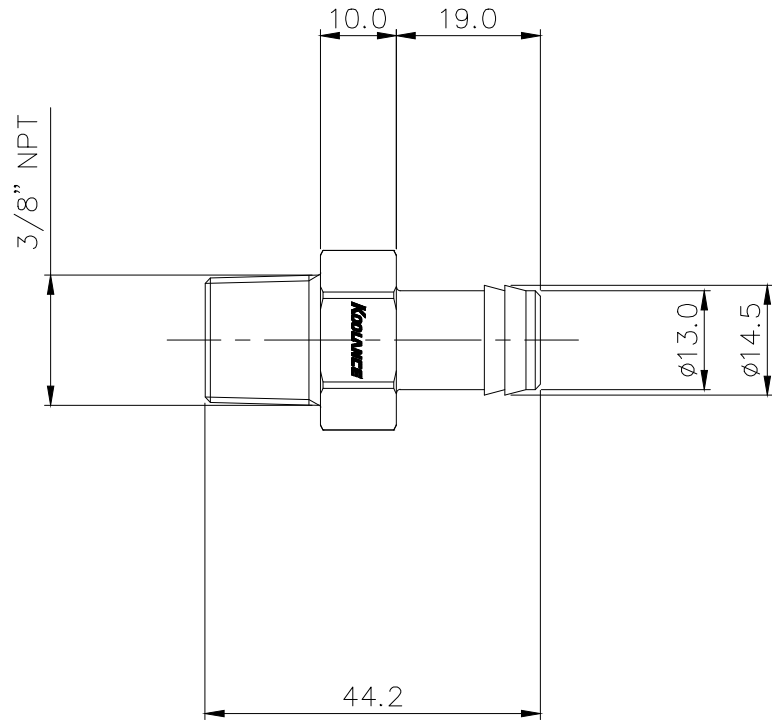




Single barb fitting for 1/2in (13mm) ID tubing. 3/8 NPT (tapered) thread. Spring clamp for 5/8in (16mm) OD included.

General	
Weight	0.14 lb (0.06 kg)
Max Pressure Tolerance @ 25° C	15kgf/cm2 (213.4psi)
Max Temperature Tolerance	120° C (248° F)
Wetted Materials	Brass, Nickel Plating, EPDM



NO.	DESCRIPTION	MATER'L		QUANTITY	REMARKS
	<b>KOOLANCE</b>	UNIT	MM	ITEM	FIT-V13N38
		SCALE	N/S	TITLE	
DATE	BY	BY	BY	APPRO BY	Ass'y
	S.J.LEE				
				3RD ANGLE	
				CODE NO.	DWG. NO.
					PAGE