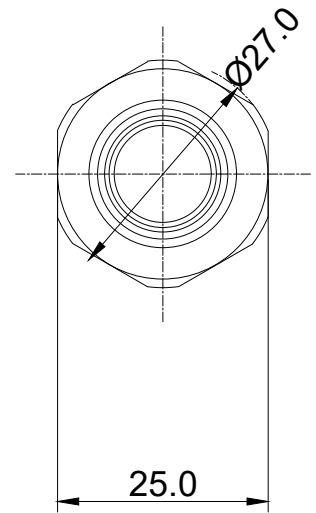
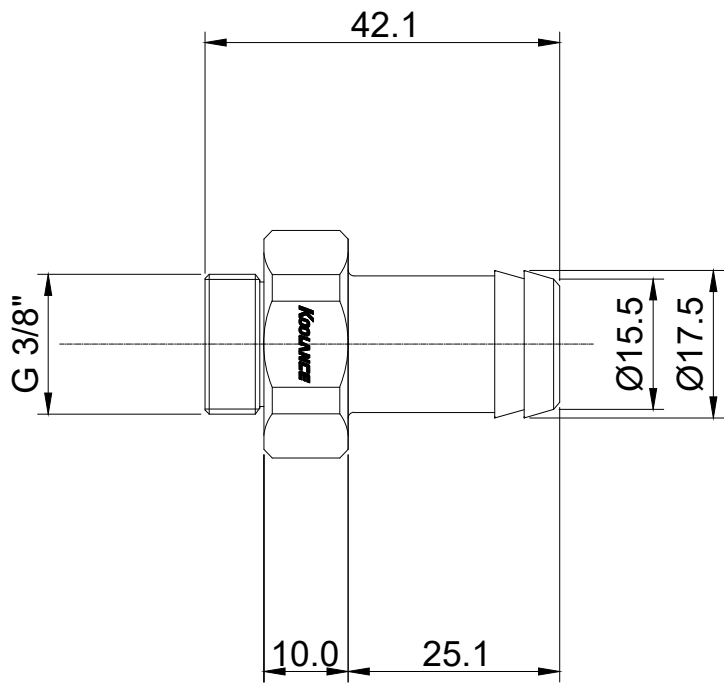




Single barb fitting for 5/8in (16mm) ID tubing. G 3/8 BSPP (parallel) thread.

General	
Weight	0.16 lb (0.07 kg)
Max Pressure Tolerance @ 25° C	15kgf/cm2 (213.4psi)
Max Temperature Tolerance	120° C (248° F)
Wetted Materials	Brass, Nickel Plating, EPDM



NO.	DESCRIPTION	MATER'L	QUANTITY	REMARKS
	KOOLANCE	UNIT MM	ITEM FIT-V16G38	
		SCALE N/S	TITLE	
		DECIMAL PLACES	Assy	
DATE	BY	BY	BY	APPRO BY
	SKAN			
			DWG. NO.	PAGE